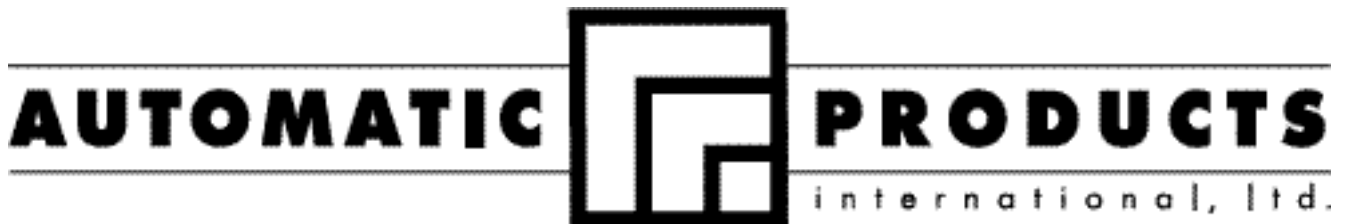


**SNACKSHOP LCM1-LCM2**  
**SNACKSHOP LCM1-LCM2**  
**SNACKSHOP LCM1-LCM2**  
**SNACKSHOP LCM1-LCM2**  
**SNACKSHOP LCM1-LCM2**

**instruction manual for**

**SNACKSHOP LCM1-LCM2**



75 WEST PLATO BOULEVARD • ST. PAUL, MINNESOTA 55107-2095

## EXPRESS WARRANTY

Automatic Products international Ltd. (APi) expressly warrants these automatic merchandisers (the "Unit"), manufactured by it, to be free under normal use and service from defects in material or workmanship for a period of two (2) years from the date of delivery of this Unit to the original purchaser. This warranty extends only to the original purchaser of the Unit. The exclusive remedy for this warranty is limited to the repair or replacement, at APi's sole option, of any part or parts of the Unit that are returned to APi or to the authorized dealer or distributor of APi from whom the unit was purchased with all transportation charges prepaid, and which, on APi's examination, shall, conclusively appear to have been defective. This warranty does not:

- a. extend to any Unit, or part thereof, that was subjected to misuse, neglect, or accident by other than APi after its delivery to the original purchaser;
- b. extend to any Unit, or part thereof, that was modified, altered, incorrectly wired or improperly installed by anyone other than APi or used in violation of the instructions provided by APi;
- c. extend to a Unit which has been repaired or altered by anyone other than APi or authorized dealer/distributor;
- d. extend to a Unit which has had the serial number removed, defaced or otherwise altered;
- e. extend to plastic or glass windows, lamps, fluorescent tubes and water contact parts;
- f. extend to any Unit used outdoors
- g. extend to accessories used with the Unit that were manufactured by some person or entity other than APi.

**API DISCLAIMS ALL OTHER WARRANTIES OF ANY KIND AS TO THE UNIT AND ALL WARRANTIES OF ANY KIND AS TO ANY ACCESSORIES. THIS DISCLAIMER OF WARRANTIES INCLUDES ANY EXPRESS WARRANTIES OTHER THAN THE LIMITED WARRANTY PROVIDED ABOVE AS TO THE UNIT AND ALL IMPLIED WARRANTIES OF MERCHANTABILITY AND FITNESS FOR A PARTICULAR PURPOSE AS TO THE UNIT AND ANY ACCESSORIES. UNDER NO CIRCUMSTANCES SHALL API BE RESPONSIBLE FOR ANY INCIDENTAL, CONSEQUENTIAL OR SPECIAL DAMAGES, LOSSES OR EXPENSES ARISING FROM OR IN CONNECTION WITH THE USE OF, OR THE INABILITY TO USE, THE GOODS FOR ANY PURPOSE WHATSOEVER.** No representative of APi or any other person is authorized to assume for APi, or agree to on the behalf of APi, any other liability or warranty in connection with the sale of this Unit. APi reserves the right to make any changes or improvements in its products without notice and without obligation, and without being required to make corresponding changes or improvements in Unit theretofore manufactured or sold.

Snackshop LCM1-LCM2 has been designed from superior engineering and with quality throughout. It has been built of rugged construction for many years of reliable trouble-free operation. (Note: For indoor use only.)

All equipment manufactured by Automatic Products int'l Ltd. is designed to work properly in a temperature range of 10°C to +50°C (50°F to 104°F) in still air (75% R.H. non-condensing). The unit is capable of being stored in a temperature range of -18°C to +68°C (0°F to 155°F), provided proper precautions are taken for machines that contain a water system to prevent physical damage to components due to freezing, and that the machine is not stored in direct sunlight.

To achieve the most economical trouble-free operation from your Snackshop LCM1-LCM2, it is recommended that this service manual be thoroughly read and instructions followed pertaining to all loading and servicing, etc., of the vendor.

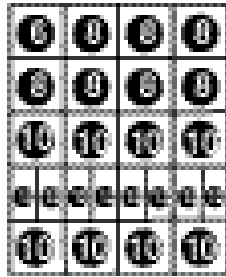
Should you have any questions pertaining to this manual or the vendor, please contact your local Automatic Products Company distributor or write directly to:



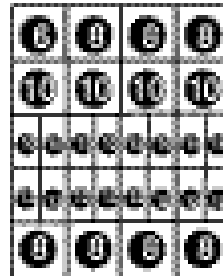
	Page
WARRANTY . . . . .	i
LCM1 CAPACITIES . . . . .	1
LCM2 CAPACITIES . . . . .	2
OPERATION GUIDE . . . . .	2A
UNPACKING . . . . .	3
INSTALLATION . . . . .	4-7
PROGRAM OPERATION . . . . .	7-8
COMPONENTS	
1. Power Supply . . . . .	9
2. Changers . . . . .	9
3. Controller Board . . . . .	9
4. Mode Switch . . . . .	9
5. Operate Mode . . . . .	9
6. Selection Panel . . . . .	9
7. Vend Motors . . . . .	10
8. Lighting System. . . . .	10
9. Main Product Shelves . . . . .	10
10. Delivery Bin. . . . .	10
11. Coin Return . . . . .	10
12. Coin Acceptance . . . . .	10
13. Removal of Gum & Mint Motors and/or Ejectors. . . . .	10
14. Chilled Air Machine . . . . .	10
CLEANING . . . . .	11
OPTIONAL EQUIPMENT	
1. Ventilating Fan. . . . .	11
2. Gum & Mint. . . . .	11
3. Special Spirals. . . . .	11
4. Soup Dispenser. . . . .	11
5. Dollar Bill Validators. . . . .	11
6. Dual Spiral Shelf . . . . .	11
7. Convertible Shelf. . . . .	11
8. Chilled Air Machine . . . . .	11
PARTS LIST	
1. Door-Outside Front. . . . .	12-13
2. Door-Inside Front . . . . .	14-15
3. Cabinet. . . . .	16-19
4. Snack Shelf . . . . .	20-21
5. Convertible Shelf . . . . .	22-23
6. Candy Shelf . . . . .	24-25
7. Gum & Mint Shelf . . . . .	26-27
8. Delivery Bin . . . . .	28-29
9. Chill Machine Supplement . . . . .	30-33
10. Main Junction Box . . . . .	34
11. AP II Style . . . . .	35
12. Cover-up Plate 3 . . . . .	36
13. Tron II Style . . . . .	37
14. Genesis Style . . . . .	38
15. Vantage Style. . . . .	39
15. Connectors . . . . .	40
TROUBLE SHOOTING CHART. . . . .	41-42
MULTI-DROP BUS ERRORS. . . . .	43
CONNECTOR PINOUTS . . . . .	44
SCHEMATICS. . . . .	45-46

# LCM1 capacities

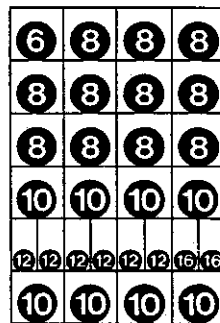
Unless otherwise specified machine will be shipped with spiral assortment shown below.  
 Figures in circles represent capacities in each spiral.



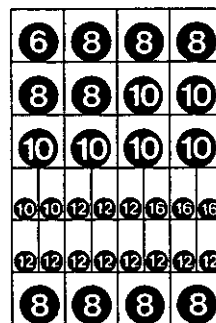
MODEL LCM1-524  
 Capacity as shown:  
 246 units



MODEL LCM1-528  
 Capacity as shown:  
 302 units



MODEL LCM1-628  
 Capacity as shown:  
 278 units



MODEL LCM1-632  
 Capacity as shown:  
 338 units

## PRODUCT SIZE CAPABILITY

Shelves	Height	Width of Snack Shelves Only	Width of Candy Shelves Only	Depth of Snack Spirals Only Choice:	Depth of Candy Spirals Only Choice:
Top	7-3/4"	2-1/2" to 5-1/4"	1" to 2-1/4"	4 - Item Spiral 3"	3 - Item Spiral 3-15/16"
Second	7-1/4"	2-1/2" to 5-1/4"	1" to 2-1/4"	6 - Item Spiral 2-3/32"	6 - Item Spiral 1-15/16"
Third	6-3/8"	2-1/2" to 5-1/4"	1" to 2-1/4"	8 - Item Spiral 1-9/16"	8 - Item Spiral 1-1/2"
Fourth	7-1/8"	2-1/2" to 5-1/4"	1" to 2-1/4"	10 - Item Spiral 1-7/32"	10 - Item Spiral 1-1/8"
Fifth	6-1/2"	2-1/2" to 5-1/4"	1" to 2-1/4"		12 - Item Spiral 15/16"
Sixth	5-7/8"	2-1/2" to 5-1/4"	1" to 2-1/4"		16 - Item Spiral 11/16" 20 - Item Spiral 1/2"

Eight selection shelves for candy and other narrow items fit on all six positions.

Spiral of one item capacity can be freely interchanged with any other of the same diameter.

Boxed items may need slightly larger clearances to vend properly.

Movable spacers available to adjust widths to ranges shown in each selection.

**Gum and Mint Capacity:** It is difficult to determine the true capacity due to variations of product size. The average capacity for the Gum and Mint Shelf is 90 items.

## LCM1 SPECIFICATIONS

HEIGHT: 72"

WIDTH: 33-1/2"

DEPTH: 27-5/8"

FLOOR SPACE REQUIRED: 6.4 SQ. FT.

SHIPPING CONTAINER SIZE: 45.5 CU. FT., 470 lbs.

CHILLER UNIT 570 lbs.

POWER REQUIREMENTS:

LCM1 AMBIENT = 120 VOLTS, 60 HZ, 3 AMPS

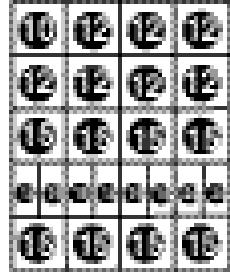
220/230/240 VOLTS, 50 HZ, 3 AMPS

LCM1 CHILLED = 120 VOLTS, 60 HZ, 12 AMPS

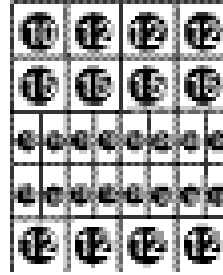
220/230/240 VOLTS, 50 HZ, 6 AMPS

SOUND LEVEL: NOISE LEVEL & OPERATION AT LESS THAN 70 dB (A)

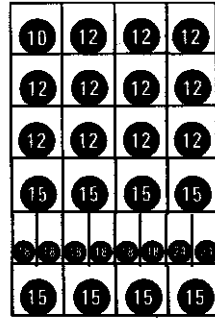
Unless otherwise specified machine will be shipped with spiral assortment shown below. Figures in circles represent capacities in each spiral.



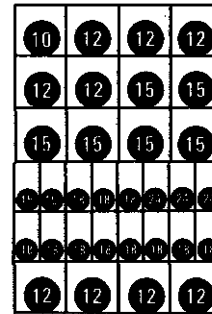
MODEL LCM2-524  
Capacity as shown:  
370 units



MODEL LCM2-528  
Capacity as shown:  
454 units



MODEL LCM2-628  
Capacity as shown:  
418 units



MODEL LCM2-632  
Capacity as shown:  
508 units

## PRODUCT SIZE CAPABILITY

Shelves	Height	Width of Snack Shelves Only	Width of Candy Shelves Only	Depth of Snack Spirals Only Choice:	Depth of Candy Spirals Only Choice:
Top	7-3/4"	2-1/2" to 5-1/4"	1" to 2-1/4"	5 - Item Spiral 4-1/8"	6 - Item Spiral 2-7/8"
Second	7-1/4"	2-1/2" to 5-1/4"	1" to 2-1/4"	6 - Item Spiral 3-3/32"	7 - Item Spiral 2-1/2"
Third	6-3/8"	2-1/2" to 5-1/4"	1" to 2-1/4"	7 - Item Spiral 2-21/32"	9 - Item Spiral 1-15/16"
Fourth	7-1/8"	2-1/2" to 5-1/4"	1" to 2-1/4"	10 - Item Spiral 1-7/8"	10 - Item Spiral 1-3/4"
Fifth	6-1/2"	2-1/2" to 5-1/4"	1" to 2-1/4"	12 - Item Spiral 1-9/16"	12 - Item Spiral 1-1/2"
Sixth	5-7/8"	2-1/2" to 5-1/4"	1" to 2-1/4"	15 - Item Spiral 1-7/32"	15 - Item Spiral 1-1/8"
				18 - Item Spiral 1"	18 - Item Spiral 15/16"
				30 - Item Spiral 1/2"	24 - Item Spiral 11/16"
				40 - Item Spiral 5/6"	30 - Item Spiral 1/2"
					40 - Item Spiral 5/16"

Eight selection shelves for candy and other narrow items fit on all six positions.

Spiral of one item capacity can be freely interchanged with any other of the same diameter.

Boxed items may need slightly larger clearances to vend properly.

Movable spacers available to adjust widths to ranges shown in each selection.

**Gum and Mint Capacity:** It is difficult to determine the true capacity due to variations of product size. The average capacity for the Gum and Mint Shelf is 135 items.

## LCM2 SPECIFICATIONS

HEIGHT: 72"

WIDTH: 33-1/2"

DEPTH: 35"

FLOOR SPACE REQUIRED: 8.1 SQ. FT.

SHIPPING CONTAINER SIZE: 58.1 CU. FT.

- 560 lbs., CHILLER UNIT 650 lbs.

- 9 oz. OF 134A REFRIGERANT

POWER REQUIREMENTS:

LCM2 AMBIENT = 120 VOLTS, 60 HZ, 3 AMPS

220/230/240 VOLTS, 50 HZ, 3 AMPS

LCM2 CHILLED = 120 VOLTS, 60 HZ, 12 AMPS

220/230/240 VOLTS, 50 HZ, 6 AMPS

NOISE LEVEL: NOISE LEVEL & OPERATION AT LESS

THAN 70 dB(A)

## **CONTROL-SETUP AND OPERATION**

PRESS MODE SWITCH ONCE TO ENTER SERVICE MODE.  
THEN PRESS APPROPRIATE BUTTON ON  
DOOR FRONT SELECTION PAD.

### **COIN DISPENSING**

PRESS NO.1 - PRESS [A] DISPENSES 25¢ COIN  
PRESS [B] DISPENSES 5¢ COIN  
PRESS [C] DISPENSES 10¢ COIN  
PRESS [D] DISPENSES \$1.00 COIN

### **ACCOUNTABILITY**

PRESS NO. 3 - PRESS [A] TOTAL VEND COUNT  
PRESS [B] TOTAL CASH  
PRESS [C] TOTAL CASH VENDS  
PRESS [D] TOTAL CASH CANS

### **PRICE SETTING**

PRESS NO. 4 - (DISPLAY WILL SHOW "PRC")  
PRESS SELECTION TO BE PRICED  
PRESS ▲ BUTTON TO INCREASE PRICE  
PRESS ▼ BUTTON TO DECREASE PRICE  
THIS MUST BE DONE FOR EACH  
SELECTION TO BE PRICED.  
**NOTE:** PRICING "00" IS FREE VEND.

### **TEST VEND**

PRESS NO. 5 - (DISPLAY WILL SHOW "SLCT")  
PRESS DESIRED SELECTION  
TO BE TEST VENDED.

### **VEND MODE**

PRESS [E] - (DISPLAY WILL SHOW "OPTN")  
PRESS [A] - FORCE VEND YES OR NO  
PRESS [B] - BILL ESCROW YES OR NO  
PRESS [C] - MULTI-VEND YES OR NO  
PRESS [D] - CANNED DRINK YES OR NO  
PRESS [F] - FREE VEND YES OR NO  
IF FREE VEND IS ON YES ENTIRE MACHINE  
WILL FREE VEND IF BUTTON NO. 5 IS  
PRESSED THEN ANY SELECTION MADE.

### **EXIT FROM SERVICE MODE**

PRESS MODE SWITCH OR MACHINE  
WILL EXIT AUTOMATICALLY AFTER  
30 SECONDS.

The Snackshop LCM is assembled and packed so that a minimum amount of time is necessary for preparation to install it on location. The following steps are recommended to insure correct unpacking.

1. Shipping Damage: Thoroughly inspect the exterior of the carton for damage which may have occurred during shipment. Report any damage to delivering carrier and follow their instructions.

**NOTE: Machines with refrigeration units delivered on their sides should be stood upright for 24 hours before the machine is plugged into an outlet.**

2. Remove staples from lower edge and those at top of carton, and slit carton vertically at the taped corner. Open and remove carton. Remove the remainder of the packing material. Machines shipped with a lock in place, the keys are located in the coin return cup.
3. **Remove Vendor With A Fork Lift Truck:** Remove the carton from the vendor. Open the door on the vendor and remove the hold down bracket at the front center of the cabinet base and lose the vendor door. From the front of the vendor tip the vendor backward and run forks under the cabinet.
4. **Removing Vendor Without A Fork Lift Truck:** Remove the carton from the vendor. Remove 1/4" piece of plywood located just behind the front legs, then open the door on the vendor and remove the hold down bracket at the front center of the cabinet base and close vendor door. From the front of the vendor tip the vendor back far enough to clear the wood

strip across the front of the base. Slide vendor toward the back until the back legs are off the base and pull base out.


5. On machines with lock in place, unlock, and turn handle to open door. When no lock is furnished, remove tape and turn handle. Swing door it its full open position.

**NOTE: Because the weight concentration is toward the back of the cabinet trucking and lifting should be done from the back. CAUTION should be taken when trucking from side.**


6. Remove all packing tape and paper from various areas of machine and the shipping strap.
7. Warranty: The warranty card is attached to the cover of this manual. It must be filled out in full and mailed at once to insure coverage.

**IMPORTANT: A set of anchoring brackets are sent with each machine. The kit is located in the bottom of the machine complete with instructions. It is recommended that this kit be installed to prevent shifting of the machine. Part # 660438**

◆ WATCH THROUGHOUT THE MANUAL FOR THIS ◆  
 ◆ SPECIAL ◆ DIAMOND MARK. THIS INDICATES A ◆  
 ◆ POINT OF SPECIAL INFORMATION OR A HINT ◆  
 ◆ THAT WILL ASSIST YOU IN SETTING UP, OPERATING ◆  
 ◆ OR TROUBLESHOOTING THE MACHINE. ◆



CAUTION: Certain procedures in both the operating section and the service section require that voltage be on the machine. Only trained personnel should perform this function. Exercise extreme caution while performing these procedures. These procedures will be marked with the lightening bolt symbols as it appears at left.



CAUTION: Certain procedures in both the operating section and the service section requires a qualified trained technician to perform the particular task at hand. These procedures will be marked with the exclamation symbol as it appears at left.

### Serial Number Definition

Automatic Products int'l Ltd. has introduced a new serial numbering method to permit better tracking of machines, and any changes that occur. This information is being provided to you so that you understand the information contained in the serial number, and so that when you are making an inquiry about a specific machine, or require a warranty replacement, that you provide us with the complete serial number. The location of the serial number plate in the machines has not changed. The serial number plates are located inside the machine in the upper right hand corner of the cabinet, and adjacent to the power cord on the back of the cabinet.

It is essential that the complete serial number be reported when reporting any problems or claiming any warranty replacements. The new serial number format is explained in the example below:

1	2	3	A	9	9	3	6	5	0	0	1
↑ =			↑ =			↑ =			↑ =		
			Year 99 - Last two digits of year			Numerical Day of the Year - Jan 1st = 001, Dec 31 = 365			Sequential build Number starts at 001 each day		
<p>First Digits indicate model, example shown is a 123A Glassfront Merchandiser - The machine identification may contain up to six characters dependent upon the model.</p> <p><b>Suffixes</b></p> <p><b>A</b> - indicates all design changes incorporated upon the introduction of the new chiller unit</p> <p><b>C</b> - indicates a chilled machine</p> <p><b>E</b> - indicates a machine built specifically for export outside North America</p>											

# installation

1. **Leveling the Machine** on location is important for the proper function of the machine. The four leveling screws in the legs are the means of leveling the machine. After positioning the machine, level machine in front to rear and right to left directions. After leveling, turn front right (lock side) leveling screw in about one-half turn to drop this corner slightly to make the door easier to close and lock.



**CAUTION: THIS MACHINE IS DESIGNED FOR INDOOR USAGE ONLY. ANY OTHER USAGE MAY VOID THE MANUFACTURERS WARRANTY.**



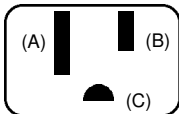
**CAUTION: THE FOLLOWING PROCEDURE REQUIRES THAT THE MACHINE HAVE POWER APPLIED AND A POTENTIAL ELECTRICAL SHOCK HAZARD EXISTS.**

2. **Voltage and Polarity Check:** It is important that this machine is hooked up to the proper voltage and polarity. Using a voltmeter, perform the following checks from the illustration.

A. C. HOT (B)

A. C. NEUT (A)

EARTH GROUND (C)



(A) to (B) = 120 VAC ( $\pm 10\%$ )

(A) to (C) = less than 1 VAC

(B) to (C) = 120 VAC ( $\pm 10\%$ )

**NOTE: Should the readings be different from above, have a certified electrician correct the problem.**

3. **Loading Snack Shelves.** Open door to full open position, push down on white and gray plastic lock levers (*Figure 1.*) on right side panel by shelf to unlock shelf, holding lever down. Grasp the shelf slightly and pull forward until shelf reaches its stop. The shelves tilt down (do not drop) to make loading easier. **Only one product shelf should be in the loading position at a time.** When returning a shelf, be sure the shelf is in its full home or vend position. Begin loading with the top shelf. Move it to the loading position. The height spacing for items is greatest in this shelf and the tallest bagged items should be placed there. Soft items, such as

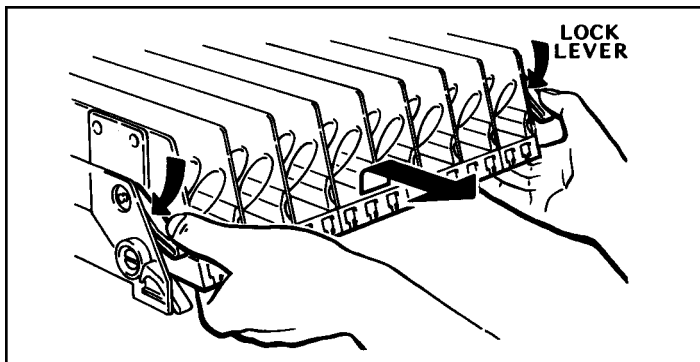


Figure 1. Moving shelf into loading position.

pastry, pies, etc., should be placed in the lowest snack shelf, making the drop distance as short as possible.

**IMPORTANT:** Product must not be forced into the spiral spaces but should fit freely. If the product is too tight, use a larger pitch spiral. The bottom of the product should be placed on top of the spiral wire that rests on the shelf surface. (*Figure 2.*) The width of the product must be greater than the diameter of the snack spiral. If it is smaller, the product may fall through when it is in the front, ready to vend position.

4. **Removal of Spiral.** Grasp the front of the spiral and turn it clockwise. Lift the spiral up and off of the spiral lock and turn the spiral counterclockwise to lock it in place. Be sure the front end of the spiral is positioned properly (with the front end of the spiral pointing downward on the left side). (*Figure 3.*) The spiral lock is attached between the spiral retainer tabs. Give a light forward pull on front of the spiral to check if it is locked in place.

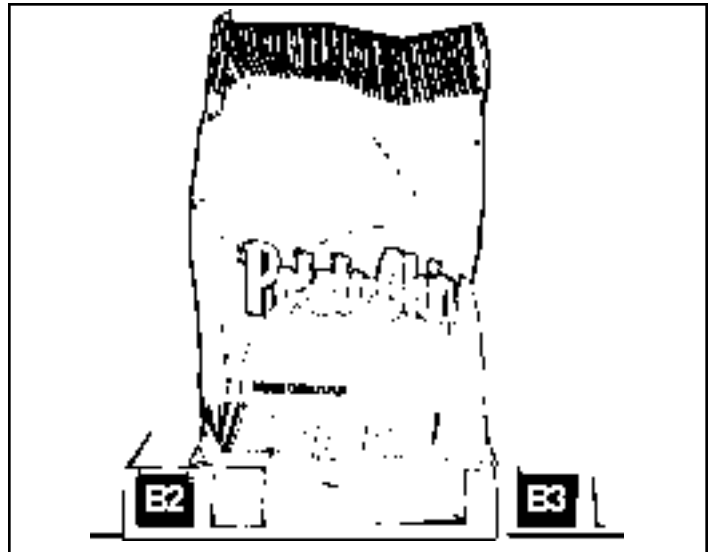


Figure 2. Placement of product on main product snack shelves and front end position of spiral.

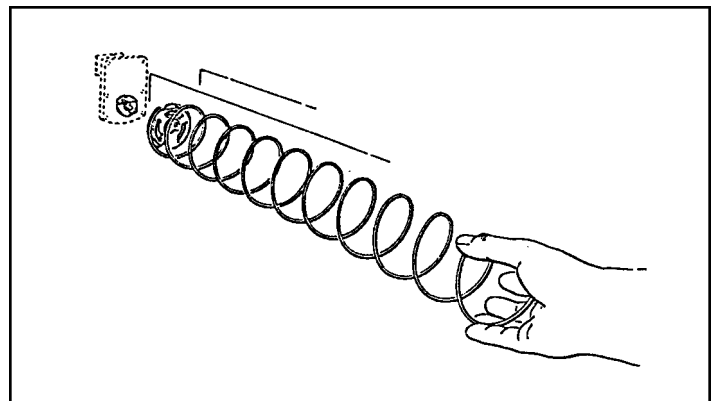


Figure 3. Removing and installing spiral.



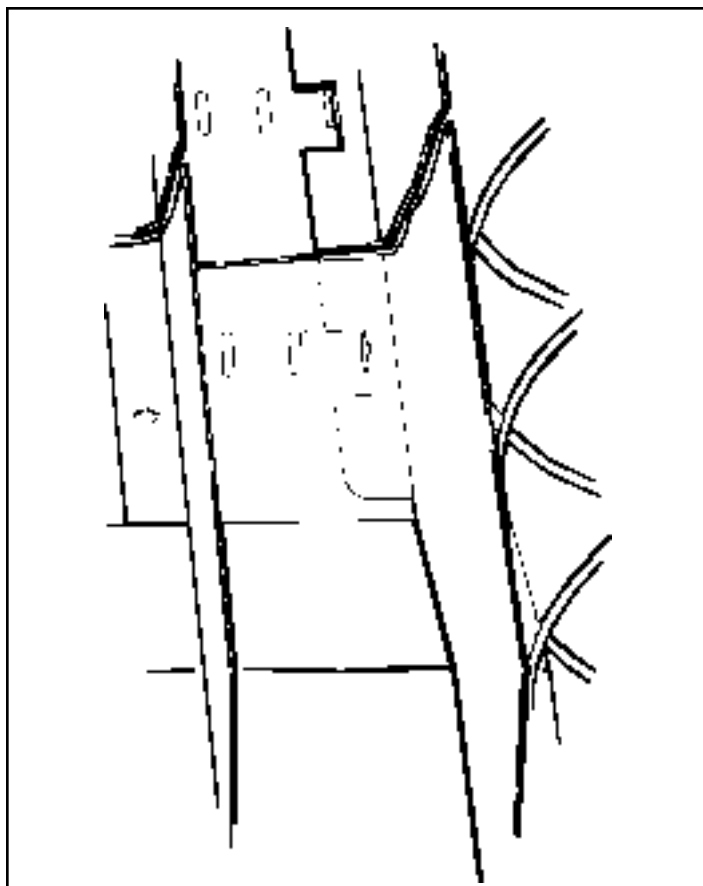


Figure 4. Alignment of moveable product spacers.

5. **Product Spacers, 4-Selection Shelf.** A product spacer is used to reduce the width of the product area and should be used on any 4-selection snack shelf where the product width is 4-1/2" or less. Spacers should fit within 1/8" of the product but should not fit tight against the product. There are three positions in each snack space where these spacers can be placed. To install the spacer, align the lock ears (on the lower edge of the spacer) with one of the three sets of slots (one front and one rear). (Figure 4.) Push the spacer to the rear to allow the ears to enter the slots, then allow the spacer to move forward. Be sure the ears are in the same set of slots, front and rear. (Figure 4.) Continue loading all spirals. Adjust with spacers where needed in the top shelf. Return the top shelf to the vend position and following this procedure, load the remainder of the large spiral shelves. The shelf divider separating the right (lock side) column from the next column is movable to allow vending of products wider than 5-1/2" in the second column. If this is used, the right column must be used to vend narrower products.

6. **Loading Main Product Candy Shelves.** The 8-selection (candy type) shelves are loaded similar to the 4-selection shelves, except that, the bottom of the product sits on the shelf in front of the spiral wire (Figure 5.) that rests on the shelf. These products must also fit properly in the spiral space. **Do not force product into spiral.** These spirals are removed and installed the same as the large spiral (Figure 3.), except that, the front end position is different (approximately 5 o'clock) (Figure 5.) and the front left side of

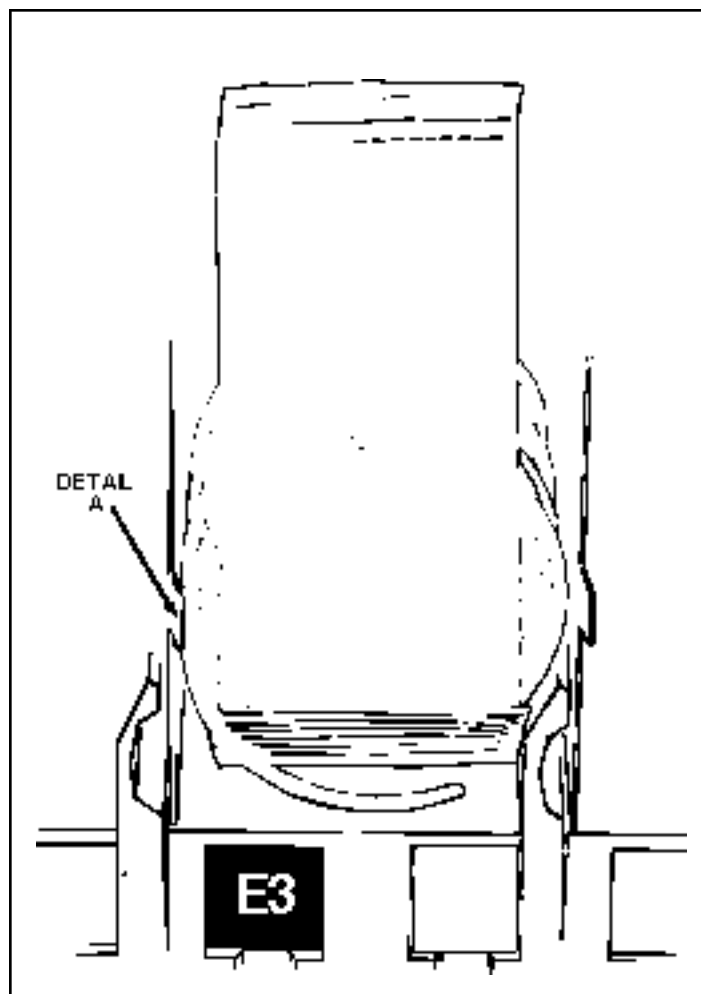


Figure 5. Placement of product on main product candy shelves and front end of spiral.

the spiral must be behind the small tab located on the left side of the product space side wall. (Figure 5., Detail A)

7. **Product Spacers, 8-selection shelf.** The 8-selection shelves are equipped with a product spacer (Figure 6.) that can be pivoted from the right side of each product space. These spacers should be pivoted out to hold the product upright, but not tight against the product. Leave about 1/8" clearance between the spacer and the product.

8. **Product Pusher.** The machine contains enough pushers for you to install a pusher on each candy spiral. This plastic part is designed to push the top of the product forward while it is vending, helping it to fall from the shelf. It can also be used with products that have the wrapper end flap on the outside of the package. In this case, the pusher prevents these products from hanging on the spiral by spreading the flap. The pusher is installed approximately 210 degrees from the front end of the spiral with the tab extending forward. (Figure 7.) Locate the pusher in its proper position, hold it against the spiral wire and push the semi-circular part around the spiral wire.

**Note: Not every selection spiral will need a product pusher. (Example: box items)**

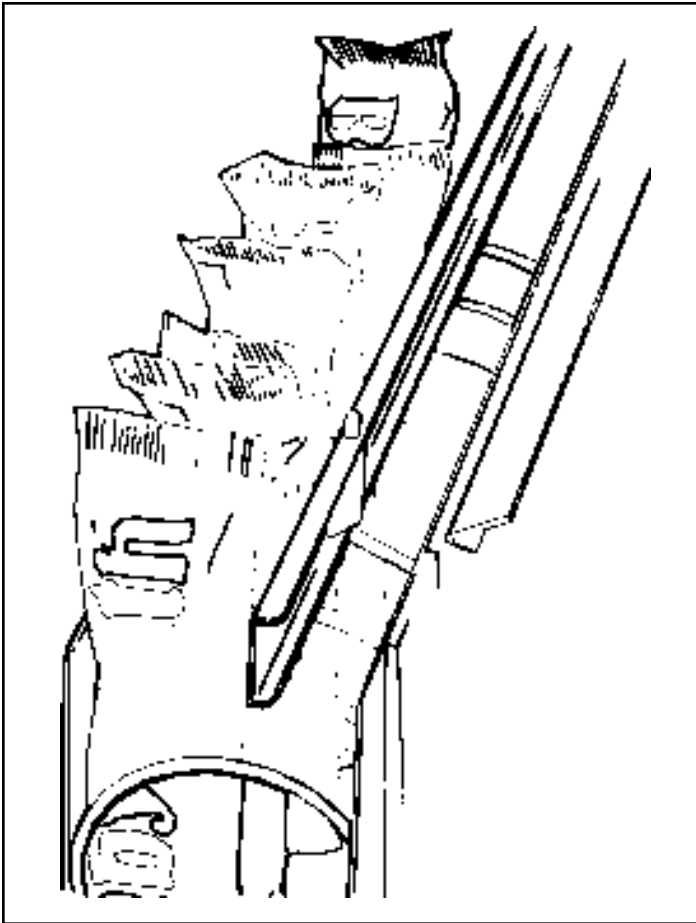


Figure 6. 8-selection shelf product spacer positioned to hold candy upright.

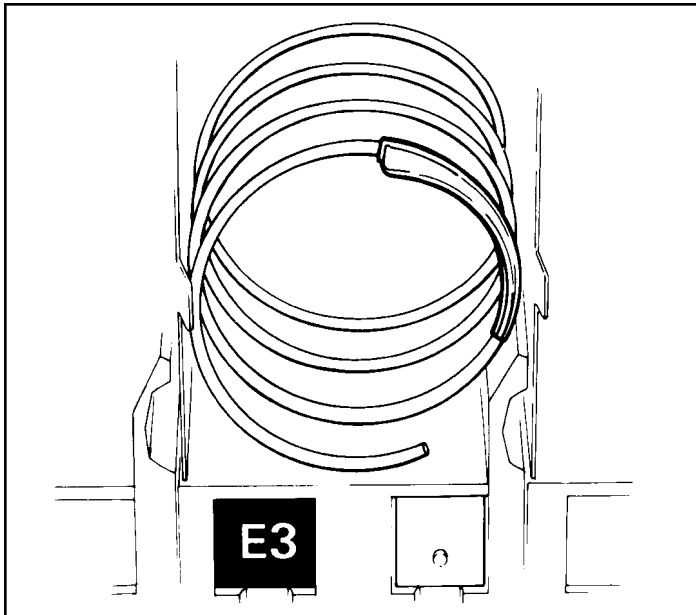


Figure 7. Location of product pusher on spiral.

9. **Bagged or Boxed Items** in the 8-selection shelves, if not loaded properly, could be a problem. The sealed edge of the bag may get under the spiral wire causing the product to hang up after it has been vended. It is recommended that the lower edge of these types of product be folded forward and up (Figure 8.) next to the product before

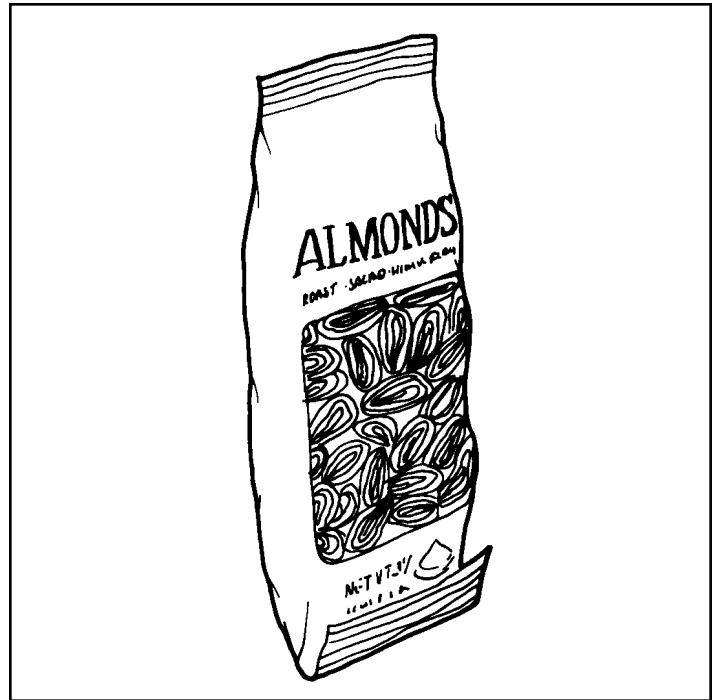


Figure 8. Folded bagged items bottom edge forward and up.

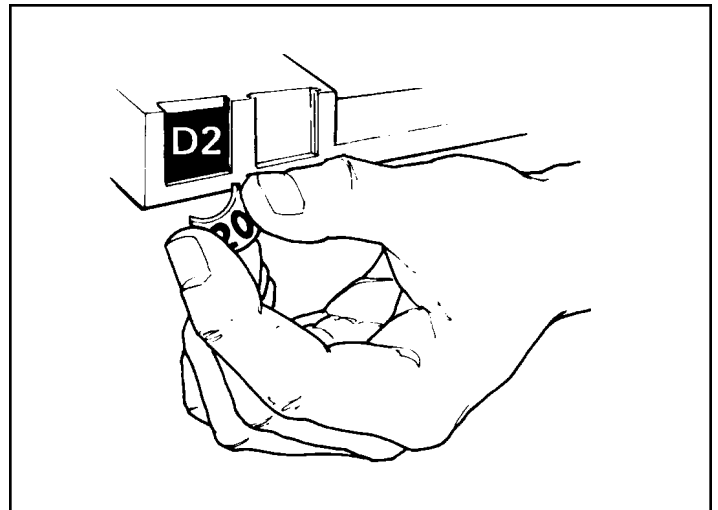


Figure 9. Installing price tabs.

inserting into the spiral space. It is also recommended to use an 18 count spiral for bagged items because of the product settling to the bottom of the package.

10. **Cigarette Vending from Snackshop LCM1.** Cigarettes can be vended from the candy shelves using the 10 capacity spiral for the soft pack regular, king, 100mm or 120mm packs. The 8 capacity spiral should be used for box packs.

**Cigarette Vending from Snackshop LCM2.** Cigarettes can be vended from the candy shelves using the 15 capacity spiral for the soft pack regular, king, 100mm or 120mm packs. The 12 capacity spiral should be used for box packs.

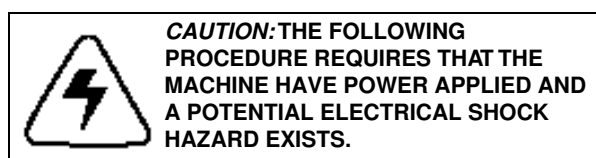
11. **Lock Product Shelves.** After all the product has been loaded, be sure all shelves are returned to their vend position behind the front roller guide.
12. **Install Proper Price Tabs** into price tab holder for each selection in the main product area. (Figure 9.)
13. **Loading Gum & Mint.** The gum & mint shelf is located below the snack shelves (optional). Unlatch the shelf by pulling forward the two metal latches located to the right and left of the shelf and pull forward. The cover can be pushed back to the rear for easy loading. The shelf contains four individual selections.

The first selection on the left contains two fillers for use with thin mints (Roloids, Certs, etc.). These fillers can be removed for standard gum or mints.

The two selections on the right of the gum & mint shelf also have fillers. These selections can be used for standard size gum and mints or the fillers may be removed for larger gum and mint products.

Each selection has a display hinge assembly which should be adjusted after the shelf is loaded. To adjust the display hinge, loosen the wing nut and slide the spring hinge of the flipper over the second product and fasten tightly.

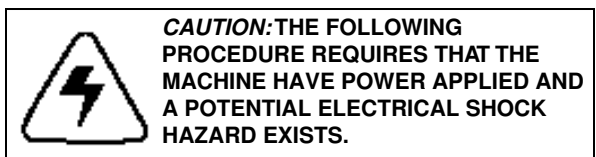
## program operation



1. **Control-Service Mode.** The Service mode is entered by pressing and releasing the mode button located on the component side of the controller. A second depression of the mode button will exit the service mode and return the controller to the Sales mode. If a period of no keypad activity occurs for 25.5 seconds, the controller will automatically revert to the Sales mode.

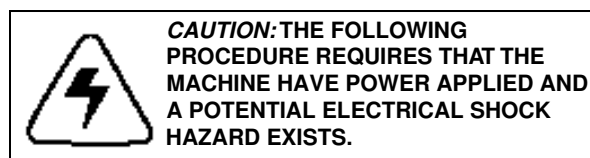
Upon entering the Service mode, diagnostics will be displayed by the controller until an additional Service mode function has been selected. Diagnostics include the number of configured motors and defective or jammed motors.

Entrance to the Service mode clears the current credit and disables all credit acceptance (except for Protocol A devices, here the VMC is the slave and must not modify credit acceptance/accumulation). Selection motors are automatically configured upon power up, reset and exiting Service mode. The following list of functions are available while in the Service mode.



2. **PRESS #1 - Coin Dispense Mode.** Coins are dispensed from the inventory tubes by pressing key #1. The controller will display "coin" and wait for an additional key to be pressed as follows:
  - Pressing [A] dispenses the left coin tube (25¢)
  - Pressing [B] dispenses the middle coin tube (5¢)
  - Pressing [C] dispenses the right coin tube (10¢)
  - Pressing [D] dispenses the fourth coin tube (\$1 coin)

To exit this mode, press another function key or leave the service mode pressing the mode switch.



3. **PRESS #3 - Accountability Mode.** Vend count and cash total accountability will be displayed by pressing key [3]. The controller will display "Acct" and wait for an additional key to be pressed as follows:
  - a. Press button [A] to display total vend count. The vend counter will be eight digit numbers displayed as the upper four for 2 seconds followed by the lower four for 2 seconds.
 

Example: Displays "0001" (1st upper four #'s)  
Displays "0025" (2nd lower four #'s)  
"0001" together with "0025" = 10,025 vends.
  - b. Press button [B] to display total cash sales. The cash counter works the same way as step "a" above, except the last two digits will have a decimal point in front indicating cents.
 

Example: Displays "0002" (1st upper four #'s)  
Displays "01.20" (2nd lower four #'s)  
"0002" together with "01.20" = \$201.20 total cash sales.

**NOTE: The digital vend counter will rollover after 99,999,999 and the cash counter will rollover after \$999,999.95.**

- c. Press button [C] to display total can vend counts. The display will show total cans vended the same way as step "A".
- d. Press button [D] to display total can cash sales. The cash counter works the same way as step "B" above.
- e. To exit this mode, press another function key or leave the service mode by pressing the mode switch.
- f. Press button [D] to display bill. Press [D] again. **IMPORTANT!!** Must be set on 20 for 5¢ increments.



**CAUTION: THE FOLLOWING PROCEDURE REQUIRES THAT THE MACHINE HAVE POWER APPLIED AND A POTENTIAL ELECTRICAL SHOCK HAZARD EXISTS.**



**CAUTION: THE FOLLOWING PROCEDURE REQUIRES THAT THE MACHINE HAVE POWER APPLIED AND A POTENTIAL ELECTRICAL SHOCK HAZARD EXISTS.**

4. **PRESS #4 - Price Set Mode.** To begin the price setting procedure, press key [4]. The controller will display "Prc" and wait for a selection to be entered. Once the selection is entered, the current price will be displayed. The price can now be increased with the scrolling up (▲) button or decreased with the scrolling down (▼) button. (Figure 10.) The maximum price can be set to \$99.95. Setting a selection price to "0.00" will put it on free vend.

### Step Procedure.

- In the Service mode, press [4] (displays "Prc").
- Press selection item to be priced (displays current price "xx.xx").
- Using the up (▲) or down (▼) buttons will change to the price desired. (Figure 10.)
- Repeat steps "b" and "c" to price another selection.
- To exit this mode, press another function key or leave the Service mode by pressing the mode switch.



**CAUTION: THE FOLLOWING PROCEDURE REQUIRES THAT THE MACHINE HAVE POWER APPLIED AND A POTENTIAL ELECTRICAL SHOCK HAZARD EXISTS.**

5. **PRESS #5 - Test Vend Mode.** To test vend a single selection, press key [5]. The controller will display "SLct" and wait for a selection to be entered. Once the selection is entered, a vend of the motor will be attempted. If the vend is successful, the controller will blank the display and exit the test vend mode. If the selected motor fails, the controller will display "FAiL" for 2 seconds and then exit.

### Step Procedure.

- In the Service mode, press [5] (displays "SLcT").
- Press the motor selection to test vend (machine will display selection and cycle motor unless vend test fails, which would display "FAiL").
- To test vend other selections, press [5] and repeat steps "a" and "b".
- To exit this mode, press another function key or leave Service mode by pressing the mode switch.

**NOTE: Test vending a selection that had failed previously, will reset if the motor successfully completes a vend cycle.**

- PRESS #6 - Diagnostic Vend Test.** This feature can be used to test vend all configured motors within the machine before installing on location. The controller will display each selection as a vend attempt is made. If the vend is successful, the controller will continue on with the next selection. If the selected motor fails the controller will display "FAiL" for 2 seconds and then continue. When a vend attempt on all motors has been completed, the controller will blank the display and exit the test vend mode. To exit this mode, press another function key and hold until the current vend is completed or exit the Service mode. (See page #43 for diagnostic error table).

6. **Vend Option Mode.** To enter the vend option mode, press key [E]. The controller will display "OPtn" and wait for additional key to be pressed for following features:

a. Press key [A] - **Force Vend.**

(displays "FrcY" or "Frcn")

Press key [A] again to toggle between force vend enabled ("FrcY") and force vend disabled ("Frcn").

b. Press Key [B] - **Escrow Enable.**

(displays "EScY" or "EScn")

Press key [B] again to toggle between escrow enable ("EScY") or escrow disable ("EScn").

The escrow enable option allows the validator to return a bill inserted by a customer who changes their mind. The bill inserted will be held by the validator without being stacked. When the coin return button is pushed, the bill is returned.

c. Press key [C] - **Multi-Vend.**

(displays "MuLY" or "MuLn")

Press key [C] again to toggle between multi-vend enable ("MuLY") or multi-vend disable ("MuLn").

The multi-vend option allows the customer the option to vend multiple items without reentering credit. Change will not be returned immediately after a vend and credit will remain on the display for up to 20 seconds. Escrow attempts will be valid at any time or change will be returned after 20 seconds of no vend activity.

d. Press key [D] - **Can Drink.**

(displays "CAnY")

Press [D] again to toggle between "CAnY" and "CAnn".

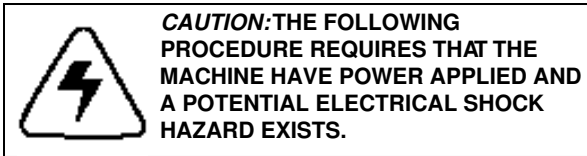
e. Press key [F] - **Free Vend.**

(displays "FREY" or "FREN")

Press key [F] again to toggle between Free Vend Enable ("FREY") or Free Vend Disable ("FREN").

The Free Vend option allows the customer to test vend each selection motor for proper operation.

**NOTE: The machine should be on "CAnn".**



1. **Power Supply.** The 120 VAC power cord from the wall outlet comes into the machine and plugs into the back of the main junction box located on the bottom right side of the cabinet. The voltage output to the board is 24 volts and is plugged in the top right corner (P1 position).

**NOTE: Only one changer harness should be plugged into the board for proper operation**

2. **Changers.** The Snackshop LCM can use a variety of either Coinco or Mars changers. The machine is wired for only 24 volt models. The changers available are Coinco (9302L or 9302LF) and Mars (TRC-6010 or TRC-6010XV). In addition, control boards support MDB (Multi-Drop Bus) peripherals which include coin mechanisms, validators and card readers. MDB harness is P/N 680576.
3. **Controller Board.** This module is located on the inside door (above selector panel) of the vending machine. The controller will govern all vending activity within the machine. It has the capability of driving eighty/selections.
4. **Mode Switch.** The Snackshop LCM has only one mode switch that allows control of the machine functions. It is located on the control board. This switch will allow 6 modes of operation.
  1. Operate (vending mode)
  2. Change payout
  3. Accountability
  4. Price setting
  5. Test vend
  6. Vend option

5. **Operate Mode.** The operate mode is when the machine is in the normal customer vending mode. The following steps explain the operation and sequence of events when making a vend.
  - a. **Digital Display.** During standby with no credit in machine, the digital display will show all zeros with a designated decimal point. When an alpha-numeric character is pressed, this selection will be displayed.
  - b. **Credit Operation.** Credit may be accumulated through either a coin changer or bill validator mechanism. Credit acceptance will disable when the accumulated credit equals or exceeds the highest priced item. If using an executive or "Protocol A" type coin mechanism, credit acceptance is controlled by the changer. The bill validator will be enabled when a combination of nickels and dimes, or nickels and quarters are available in the changer.
  - c. **Vend Process.** After a keypad entry is made, the controller will determine if sufficient credit is available and the status of the selection. If the accumulated price and the motor is present, a vend attempt will be made for that selection. During this time, the selection will be shown on the display. If credit is less than the selection price, the price will be flashed for 3 seconds or until an alpha key

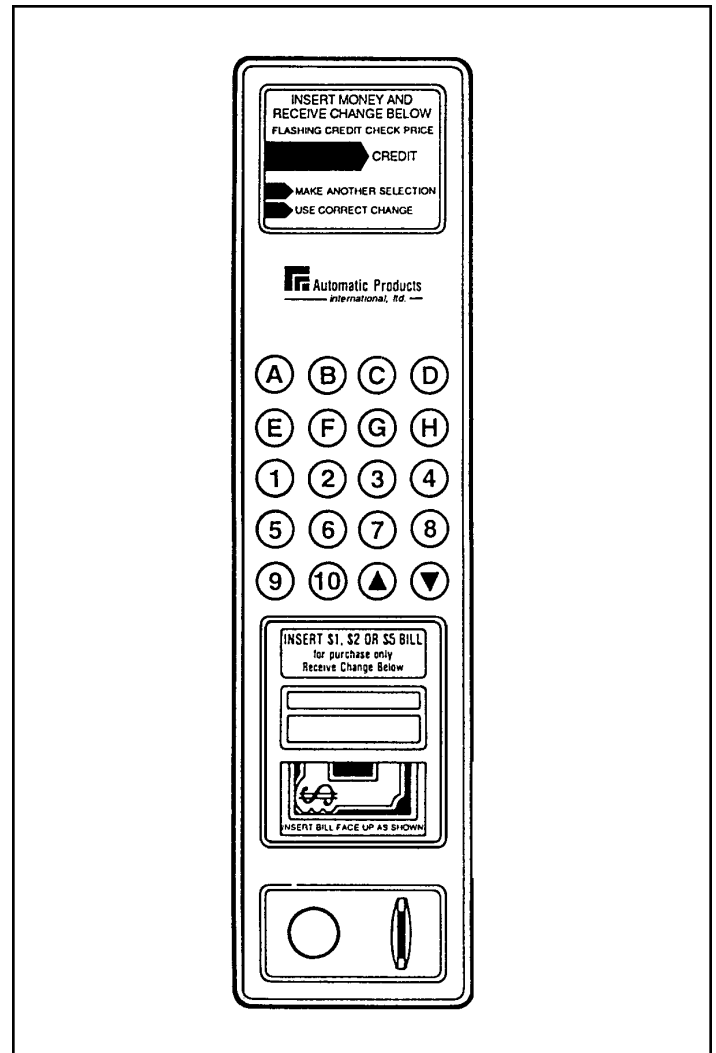


Figure 10.

- a. **Motor Flagged.** If the motor is flagged as bad, the selection and the "MAKE ALTERNATE SELECTION" LED will be flashed for 3 seconds or until an alpha key is pressed.
  - d. **Change Payment.** Following a successful vend, the amount of change to be returned will be displayed for 2 seconds or until all coinage is paid back. A least coin payout algorithm will be implemented.
  - e. **Use Correct Change LED.** If the changer's least value coin tube is empty, the "USE CORRECT CHANGE" LED will be illuminated continuously.
6. **Selection Panel.** The selection panel (Figure 10.) on the Snackshop LCM incorporates that use of a self enclosed membrane switch panel. This eliminates the need for individual switches and wiring. The membrane switch panel is housed in a panel with individual buttons protecting the switch face. The panel front also houses the display lens. The display lens gives instructions to the customer for 2 conditions which might occur (make another selection/use correct change). The display lens also contains 3 LED lights.

# components

7. **Vend Motors.** The Snackshop LCM incorporates the use of a high RPM DC motor. Due to new design, the vend motor may no longer be homed by hand. **DO NOT TRY TO TURN THE SPIRALS BY HAND. DAMAGE TO THE MOTOR WILL RESULT.** It is also important to check polarity before applying current to the motor. 2 diodes and a capacitor are used to prevent circuit feedback and may have to be checked when trouble shooting motor problems .
8. **Lighting System.** There is only 1 flourescent lamp in the Snackshop LCM. The lamp is located on the top, inside of the door which lights up the main product area.The starter is located on the hinge side of the lamp. The ballast and line filter is located on the top, front, left shelf support. (Page 18, Item 16.)
9. **Main Product Shelves.** There are 3 to 6 main product shelves per machine. Each containing either 4 or 8 selections. Each selection has its own motor mounted to the back of the shelf. Every shelf has its own harness and plug for connecting to the remainder of the circuit through the cabinet receptacle, located in the right, rear of the cabinet. The motors are the same on either type shelf. It is now possible in the Snackshop LCM to exchange a 4-selection shelf with a 8-selection shelf or vice versa. You also have the capability to gain 1/2" either up or down on any shelf. To do this, the shelf should be removed and the cabinet back harness receptacle lowered or raised with the right and left shelf tracks.

## Removing Product Shelf.

- a. Lift up and push the lock levers toward the back of cabinet. (Figure 1., Page 4.)
- b. Pull shelf to its loading position.
- c. Grasp shelf in front and rear center. Lift front of shelf up above horizontal and pull shelf forward while lifting.
- d. To install shelf, reverse above procedure.



10. **Delivery Bin.** This is located below the display window on the door and is mechanically operated. The linkage on the outside end of the delivery bin may require occasionally lubrication. Should the door become difficult to operate, place a small amount of grease on the arm tracks.

## Removing Delivery Bin.

- a. Remove the screws from the underside of the delivery bin. These screws fasten into the lower door brace and remove the screws and brackets at the top of the delivery bin.
- b. Grasp delivery bin on both sides, lift up and pull back. Should bin be tight, rock it by lifting on one end, then the other.



## Replacing Delivery Bin.

- a. Locate lip on front edge of delivery bin, over lower edge of opening in door and behind trim.Press down along lip

- b. Install the 4 screws and 2 brackets, to secure bin to door.

11. **Coin Return.** The coin return lever is located on the door and the coin return linkage is located above the changer, scavenges the slug rejector. Actuation of the coin return lever, will clear the rejector of any damaged coin and will also cancel all credit on the changer, returning that amount to the customer.

12. **Coin Acceptance.** A coin or coins (5¢, 10¢ or 25¢) being deposited, passes thru the rejecter and into their respective coin paths in the changer, establishing the credit. The coins then enter either the self-load change tubes on the changer or the cash box. Actuation of the coin return lever prior to making a selection will cancel all credit on the changer and will return the amount of deposit back to the customer.

## 13. Removing Gum & Mint Motor and/or Ejectors.

Disconnect the 2 wires going to the motor and remove the 4 screws holding it to the shelf. The components attached to the front base can also be replaced. These consist of the gum & mint shelf front (price tabs and selection), gum & mint shelf front base, gum & mint display front stop (plastic) and the gum & mint ejector.

**NOTE: Before replacing the gum & mint motor, it would be helpful to tap the motor first with the screws. Assemble the 4 components together and mount them to the motor, making sure that the head crank of the motor is inserted into the ejector. Replace the 4 screws and test vend that selection for proper operation.**

14. **Chilled Air Machine.** When placing a chilled machine at a location **CAUTION** should be taken to keep adequate clearance in the rear and front bottom screens for proper circulation.The front vent screen assembly (Page 30, Item 6) should be removed and cleaned periodically for proper operation of the refrigeration system.

**NOTE:The cold control setting (Page 34, Item 7) should be set on the #4 position.**

**NOTE: Important! Please install the air deflector (page 31, Item 15) which comes with each chilled machine.**

The Snackshop LCM will do the best merchandising job for you if it is kept clean. The display window can be cleaned with any good glass cleaner. The exterior and interior surfaces should be cleaned with warm water and mild detergent. Rinse thoroughly and dry all surfaces.

**CAUTION:**

**Do not use any cleaners containing silicon, as this could cause electrical failures.**

The main product shelves can be best cleaned with the spirals and product spacers removed. Refer to page 4 for removal of spirals and page 5 for removal of the product spacer.

Clean the acceptor on the changer frequently, accumulated dirt in this area can cause coins to hang or not be accepted. Follow recommended cleaning procedures as described by the manufacturer.

## optional equipment

1. **Ventilating Fan.** (Part #660441 - 120 volts) **(Part #660441-1 - 230 volts Export)**  
The ventilating fan keeps a steady flow of air moving through the vendor cabinet. Installation of the fan takes only a few minutes. All the vendors are wired with a fan plug on the junction box for easy installation.

2. **Gum & Mint.** Gum & mint units are available as an option with Snackshop LCM vendors. For information pertaining to loading or servicing gum & mint unit, refer to this service manual for loading instructions and for service instructions.

3. **Special Spirals (LCM2 Only).** Special candy spirals are available for use in the 4-selection snack shelves on LCM2 machines only. For the sake of identification, the back end of these spirals are colored RED and should never be used in the 8-selection candy shelves.

These spirals allow vending products that are too wide for the standard candy columns, but, may be too thin for the regular snack spirals. A product pusher and spacer should be used where required. Part numbers for these special spirals are as follows.:

- 400139-1  
12 space special spirals
- 400140-1  
15 space special spirals
- 400141-1  
18 space special spirals

**NOTE: The difference between the standard candy spiral and the special candy spiral used in the wide snack columns is in the overall length of the spiral. The special spiral is shorter than the standard candy spirals.**

**CAUTION:**

**Do not attempt to use the special candy spirals in a 10 selection shelf.**

4. **Soup Dispenser LCM1.** (Kit 750083-1)  
A canned soup dispenser is available as an option for use in the 4-selection snack shelves. The dispenser is easy to install and holds up to seven cans in the unit.

5. **Dollar Bill Validators.** The validators take only a few minutes to install and may be purchased through the manufacturer of the unit. LCM machines will only use 24 volt validators.

**Bill Validators**

24 Volt models - Micromech

Mars	VFM1-L2-U4C
	VFM3-L2-U4C
	VN-2502-U5E
Coinco	BA32SA
	BA32R

Multi Drop Bus (MDB)

Mars	VN-2502-U5M
Coinco	BA32SA
	BA32R

**Coin Mechs**

24 Volt models - 15 pin plug only

Mars	TRC-6510
	VN-4010
Coinco	9302LF
Conlux	USLX-004-01F

Multi Drop Bus (MDB)

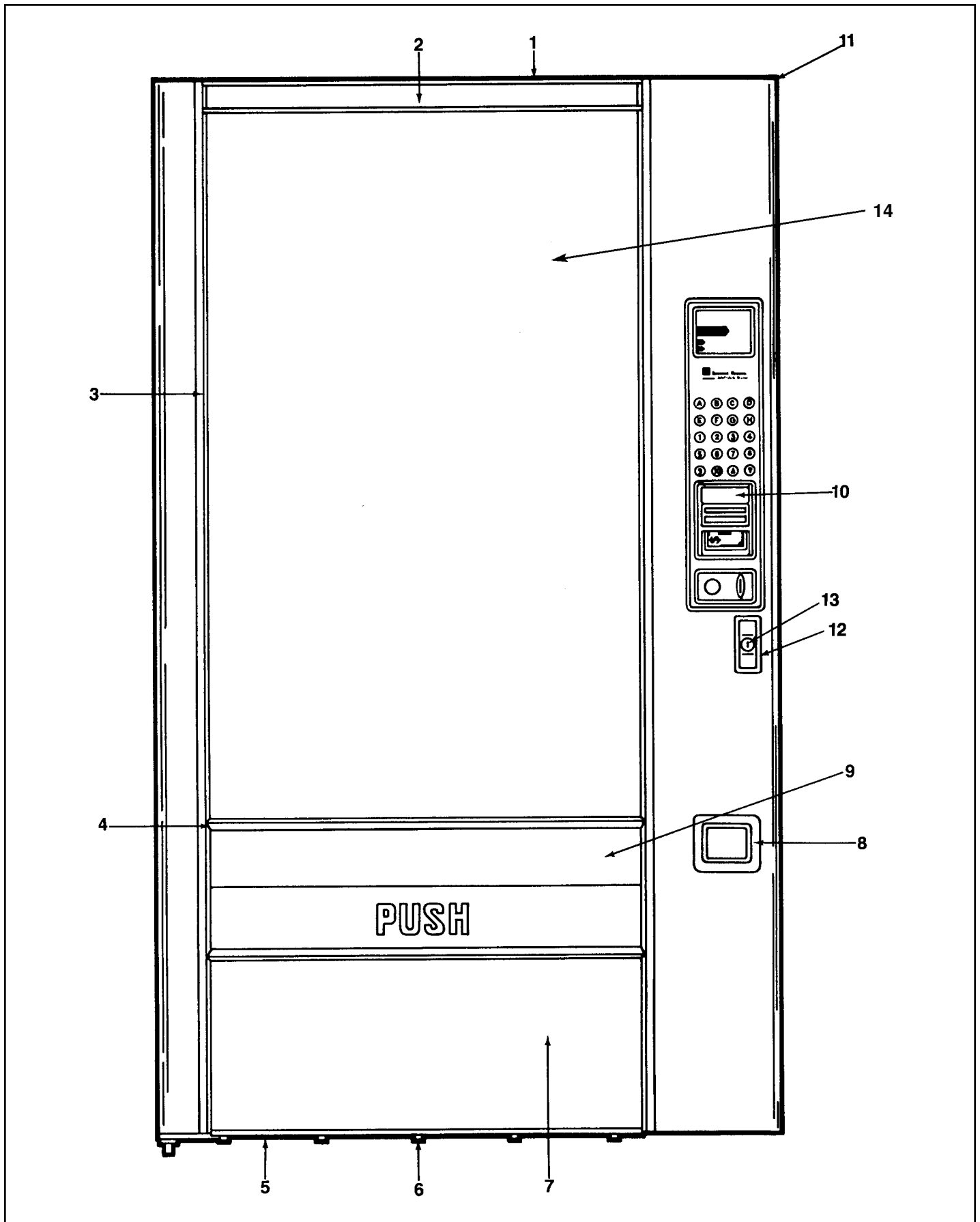
Mars	TRC-6510
	VN-4510
Coinco	9302GX
Conlux	USLZ-004-01F

6. **Dual Spiral Shelf.** Snack shelves can be set up to have dual spirals per selection on the shelf. The dual spirals will help vend specialty items better.

7. **Convertible Shelf.** The convertible shelf allows you to convert a snack shelf into a combination candy and snack shelf. The convertible shelf can be converted from 2 to 8 candy selections. (Example: 4 candy selections & 2 snack.)

8. **Chilled Air Machine.** The LCM1 and LCM2 machines may be ordered with a refrigeration unit which allows the inside of the cabinet to be cooled. **THE REFRIGERATION UNIT CANNOT BE ADDED TO A MACHINE AT A LATER DATE.**

door - outside front

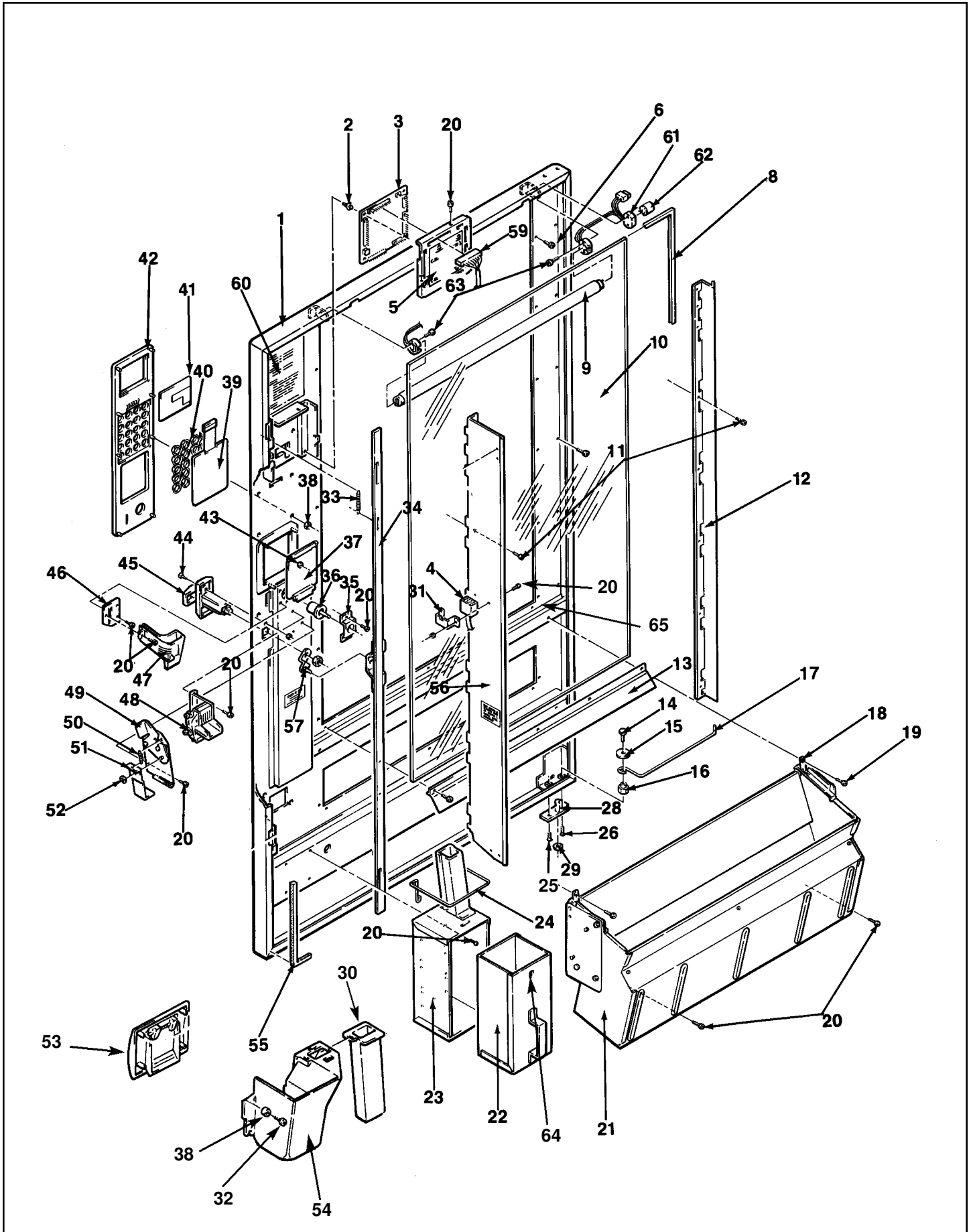




Item No.	Part No.	Description
1	340044-13	Top Trim, Silver
	340044-14	Top Trim, Black
2	201690-8	Top Trim Insert, Painted, Specify Color
	201690-6	Top Trim Insert, Black Hide
	<b>440360</b>	<b>"MULTISNACK" TRIM INSERT</b>
3	340062	Trim, Inside Vertical, Left or Right, Clear
	340062-1	Trim, Inside Vertical, Left or Right, Black
4	340062-4	Trim, Inside Horizontal, Clear
	340062-5	Trim, Inside Horizontal, Black
5	201678-4	Trim, Door Edging
6	420186	Screw, Drill Pt., Black (6-20 x 1/2)
7	201692-45	Panel, Lower Horizontal, Painted, Specify Color
	201692-15	Panel, Lower Horizontal, Black Hide
8	440411-1	Coin Cup Trim, Medium Gray
	660581	Assembly Coin Cup Front, Black
	660581-1	Assembly Coin Cup Front, Gray
	440411	Coin Cup Trim, Black
	440412	Coin Cup Door
9	201356-14	Panel, Delivery Tray, Painted
	201356-2	Panel, Delivery Tray, Black Hide
10		See page 14 for itemized parts
11	600822	Door Only, Specify Color, Euro Style
12	660319-1	Assembly Complete, Lock Handle
13	420071	Ace Lock w/2 Keys
	420071-1	Ace Lock w/1 Key
	420071-2	Ace Lock w/0 Keys
14	750141-1	Front Window (44 5/8 x 21 9/16 x 1/8) <b>Note: Replacement Glass Must be Hard Tempered or Lexan Only</b>

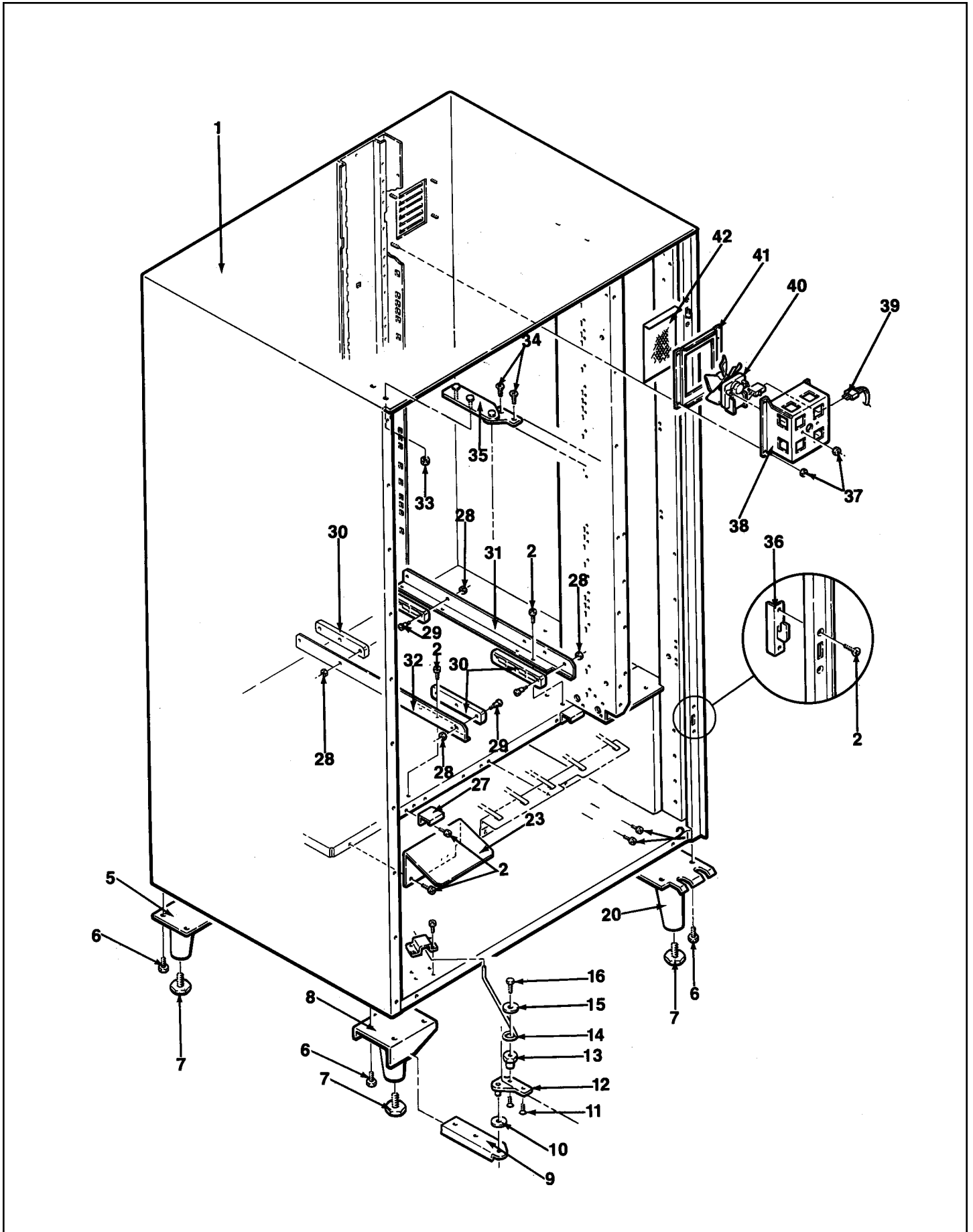
Item No.	Part No.	Description

# door - inside front



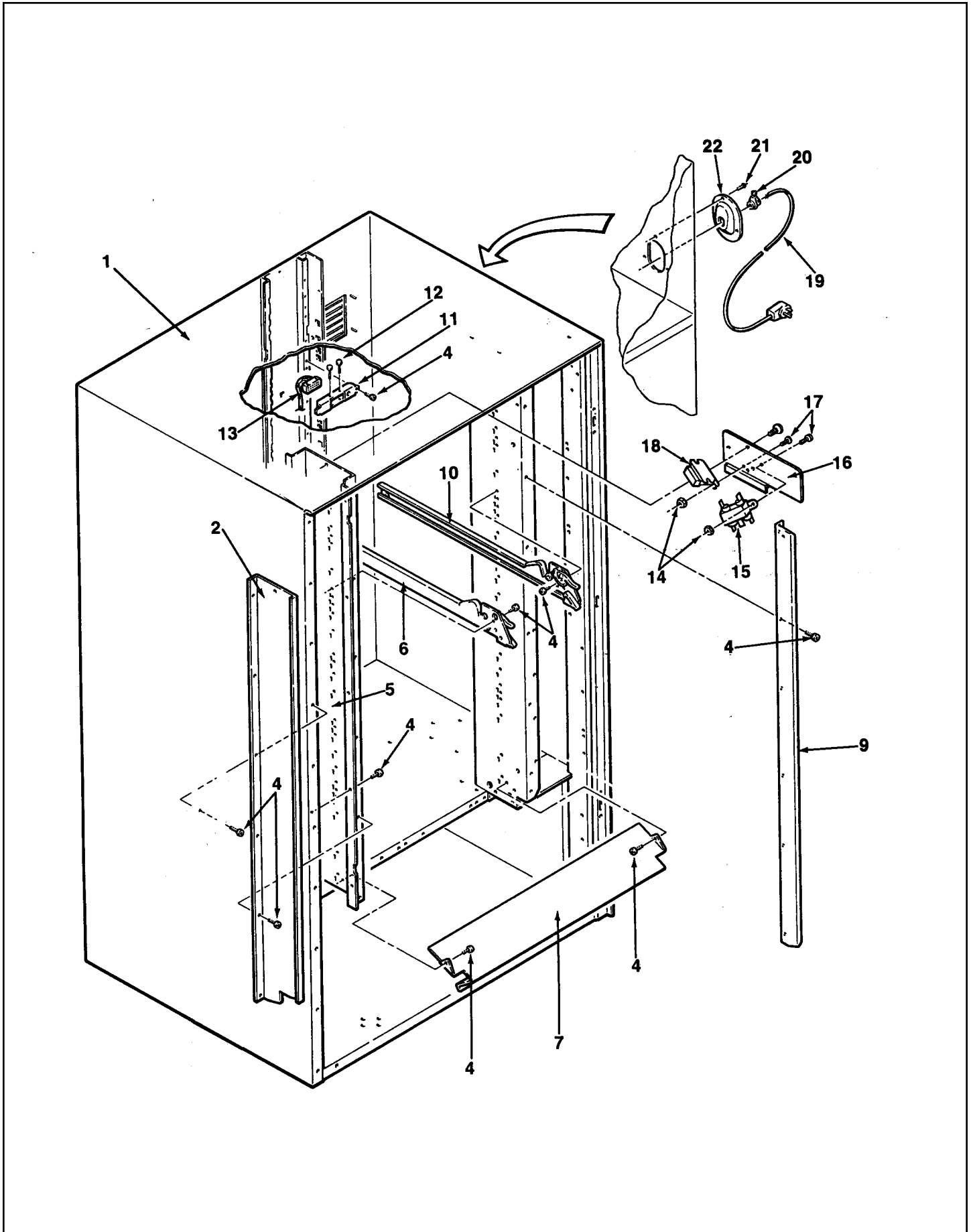
Item No.	Part No.	Description
1	600822	Door Only, Euro Style, Specify Color.
	16000040	Door Only, Square, Specify Color.
2	420303	Control Board Stand - Off
3	360206	Control Board w/MDB (Requires Cover 202325)
4	680547	Harness Changer Plug-In
	<b>680567</b>	<b>Harness Changer Plug-In, Executive Export</b>
	680576	Harness MDB. Changer & or Bill Validator Only
5	202325	Control Board Cover Only
	660528	Control Board Cover w/Decal
	460628	Decal Only
	<b>460671</b>	<b>Decal,Dutch</b>
6	201-6R7	Screw, Round Head, Phillips, Type B (6-18 x 7/16), Quantity - 2
8	460436	Insulation, Rubber, 143" (Order length needed)
9	380022-5	Lamp, Fluorescent (F18T8 CW-24)
10	750141-1	Window, Front (44-5/8 x 21-9/16 x 1/8) <b>NOTE: Replacement Glass Must Be Hard Tempered or Lexan Only.</b>
	460570	Decal "Cool-Cool" (not shown)
11	201-6R11	Screw, Round Head, Phillips, Type B (6-20 x 11/16)
12	201381-3	Shield & Window Clamp
13	201385	Window Clamp, Bottom
14	114-41-8	Screw, Hex Head, Machine (1/4-20 x 1/2)
15	420010-10	Washer
16	300156	Nut, Special, Door Stop Anchor
17	400090	Door Stop
18	200906	Delivery Bin Anchor Strap
19	217-8R10	Screw, Pan Head, Phillips, Type A (8 x 5/8)
20	276-8R6	Screw, Pan Head, Self Tap, (8-32 x 3/8)
21		Assembly Complete, Delivery Bin (See page 28 for itemized parts)
22	600179-1	Cash Box
23	600714	Cash Box Mounting Bracket
24	400180	Cash Box Retainer
25	420003-1	Screw, Flat Head (1/4-20 x 1/2)
26	420003	Screw, Flat Head (1/4-20 x 3/4)
27	420040-9	Hole Plug
28	640157	Lower Hinge Plate
29	420010-18	Washer
30	440414	Coin Cup Chute
31	202024	Changer Socket Bracket
32	305-7R8	Screw, Pan Hd., Plastite PH (#7 x 1/2)
33	400112	Spring Locking Bar
34	600432-3	Locking Bar Only
35	201660	Coin Return Bracket
36	440289	Coin Return Button, Gray
	440289-3	Coin Return Button, Black
37	660370	Assembly, Validator Filler, Black
	660370-3	Assembly, Validator Filler, Gray
38	420144	Furrule
39	660519	Assembly, Selector Switch Panel
40	440304	Selector Buttons, Quantity - 20
41	440390	Instruction Glass
	<b>440400</b>	<b>Instruction Glass, Mexico</b>
	<b>440402</b>	<b>Instruction Glass, Dutch</b>

Item No.	Part No.	Description
	<b>440403</b>	<b>Instruction Glass, German</b>
	<b>440404</b>	<b>Instructions Glass, Hebrew</b>
	<b>440440</b>	<b>Instructions Glass, Italian</b>
	<b>17400007</b>	<b>Instruction Glass, Hungary</b>
	<b>17400005</b>	<b>Instruction Glass, Russia</b>
42	660517	Assembly Complete, Selector Bezel, Gray
	660517-1	Assembly Complete, Selector Bezel, Black
	440389-1	Selector Bezel Only, Gray
	440389	Selector Bezel Only, Black
43	404-8	Nut, Hex Head (8-32)
44	118-10-8	Bolt, Carriage (10-24 x 1 /2)
45	660319-1	Assembly Complete, Lock Handle w/Lock Arm & Nut
46	201712	Coin Chute Bracket
47	440311	Coin Chute, Plastic
48	660488	Assembly, Coin Chute, Plastic
49	660367	Assembly Complete, Coin Return
	640152	Assembly, Coin Return Bracket
50	400007	Spring
51	201703	Coin Return Link
52	751-25	Retaining Ring (1/4)
53	660581	Coin Cup Front Assembly, Black
	660581-1	Coin Cup Front Assembly, Gray
	440411	Trim, Coin Cup, Black
	440411-1	Trim, Coin Cup, Gray
	440412	Coin Cup Door (not shown)
	400108	Spring (not shown)
54	440413	Coin Return Cup, LCM All - No Striker
	<b>660570</b>	<b>Assembly Coin Cup w/striker export</b>
	<b>600706</b>	<b>Coin Coin Cup Only Export</b>
	<b>202432</b>	<b>Striker Door Switch Export</b>
	<b>300184</b>	<b>Shoulder Bushing(2) Export</b>
	<b>276-8R6</b>	<b>Screw Pan HD Self Tap (8-32 X 3/8)(2)</b>
	<b>400188</b>	<b>Spring Sticker Door Switch Export</b>
55	460041	Insulation, Foam (Order length needed)
56	12000010	Window, Side Shield, Lock Side
57	640123	Lock Arm Only
58	404-10	Nut, Hex Head (10-24)
59	680548	Harness, Bill Validator Hook-Up
	680641	Harness Mars MDB 24 Volt
60	460629	Decal, Mode Instructions
	<b>460645</b>	<b>Decal,Mode Instructions French</b>
	<b>460629</b>	<b>Decal Mode Instructions English</b>
	<b>460672</b>	<b>Decal Mode Instructions Dutch</b>
	<b>460679</b>	<b>Decal Mode Instructions Italian</b>
	<b>460680</b>	<b>Decal Mode Instructions Spain</b>
	<b>460685</b>	<b>Decal Mode Instructions German</b>
61	680512	Harness, Lamp
	680456-11	Harness, Lamp (Not Shown)
62	380023	Starter, FS-25
	<b>380023-4</b>	<b>Starter, FS-11, 240 Volt</b>
63	420062-1	Screw, Round Head, Slot, Mach (4-36 x 3/4)
64	750097	Lock and Cam for Cash Box.w/2 keys. Specify Number
	420020	Lock w/1 key. Specify Number.
	13100005-01	Cam Cash Box Locking only
65	300206	Window Screw (Not Shown)



Item No.	Part No.	Description
1	750101-18	Cabinet Assembly Complete, w/Legs, Ambient Specify Color, LCM1
	750101-21	Cabinet Assembly Complete, w/Legs, Chilled Specify Color, LCM1
	<b>750101-19</b>	<b>Cabinet Assembly Complete, w/Legs,Ambient Specify Color, LCM2</b>
	<b>750101-22</b>	<b>Cabinet Assembly Complete, w/Legs, Chill Specify Color, LCM2</b>
2	276-8R6	Screw, Pan Head, Self Tap (8-32 x 3/8)
5	600195	Leg Assembly, Rear, Specify Color
6	420187	Screw, Hex Head, Machine (5/16-18 x 3/4)
7	300103	Leg Leveler
	<b>660599</b>	<b>Leg Leveler Bolt "MultiSnack"</b>
8	600195	Leg Assembly, Front, Pivot Side, Specify Color
9	201773	Lower Hinge Support, Specify Color
10	420010-22	Washer
11	420003	Screw, Flat Head (1/4-20 x 3/4)
12	640157	Assembly, Lower Door Plate, Specify Color
13	300151	Door Stop Anchor
14	400090	Door Stop
15	420010- 10	Washer
16	114-41-8	Screw, Hex Head, Machine (1/4-20 x 1/2)
18	200940	Door Stop Bracket
19	277-10R16	crew, Pan Head, Self Tap (10-32 x 1)
20	600197	Assembly, Leg Front, Lock Side, Specify Color
23	12000038-01	Plate, Gum & Mint Deflector
24	202124	Cash Box Support
25	600648	Assembly, Cash Box Mounting
26	600179-1	Cash Box
27	12000006	Gum & Mint Tray Catch
28	437-41	Nut, Keps (1/4 - 28)

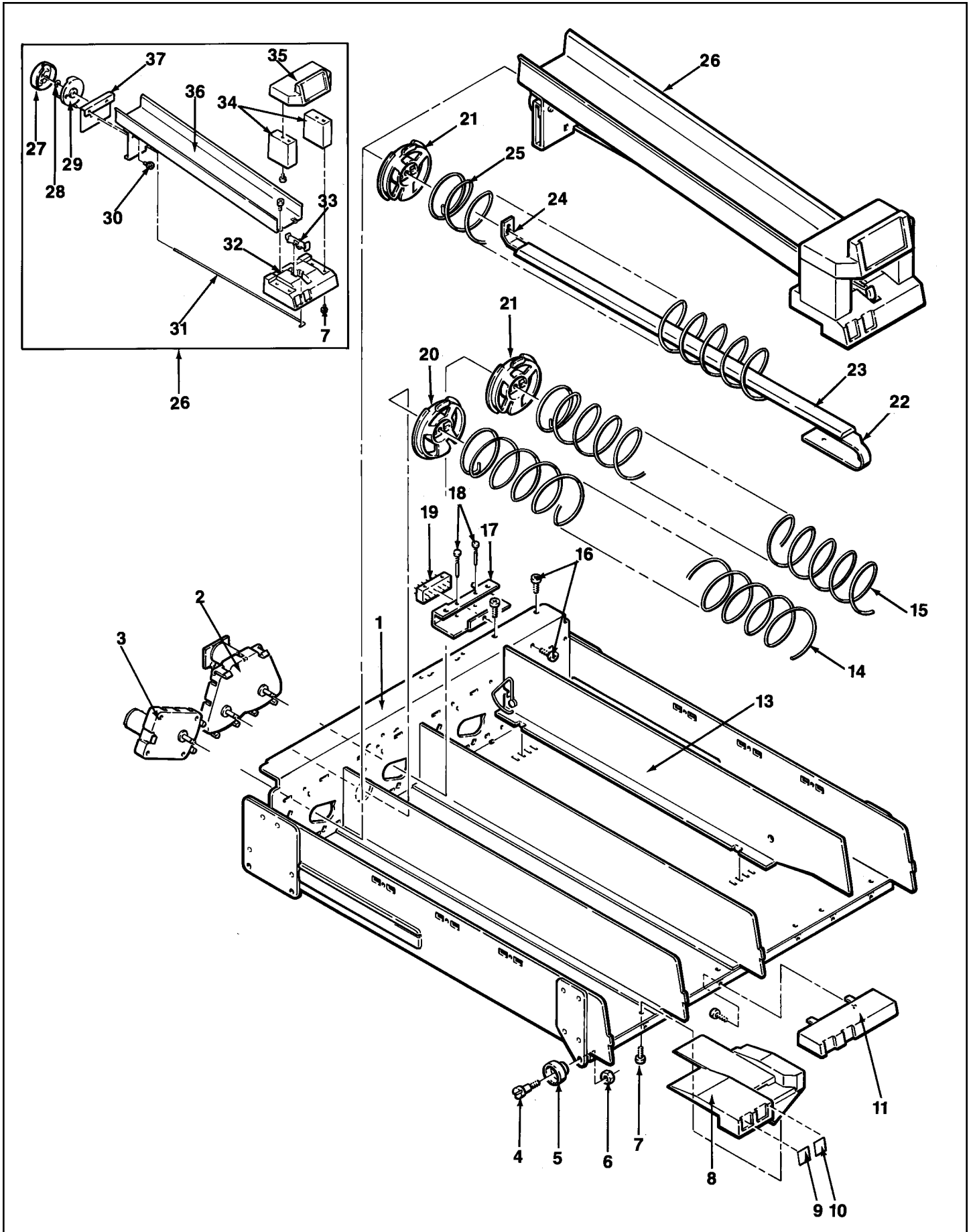
Item No.	Part No.	Description
29	300137	Screw, Shelf Roller
30	440278	Gum & Mint Tray Slide
31	660439-2	Assembly Complete, Gum & Mint Support, Right Side, LCM1
	16600039	<b>Assembly Complete, Gum &amp; Mint Support, Right Side, LCM2</b>
	202064-2	Gum & Mint Support, Right Side, LCM1
	<b>12000061</b>	<b>Gum &amp; Mint Support, Right Side, LCM2</b>
32	202064-3	Gum & Mint Support, Left Side, LCM1
	<b>12000061-01</b>	<b>Gum &amp; Mint Support, Left Side, LCM2</b>
	660439-3	Assembly Complete, Gum & Mint Support, Left Side, LCM1
	<b>16600039-01</b>	<b>Assembly Complete, Gum &amp; Mint Support, Left Side, LCM2</b>
33	438-41	Nut, Keps (1/4 x 20)
34	420003-1	Screw, Flat Head (1/4-20 x 1/2)
35	640150	Assembly, Upper Hinge, Specify Color
36	600433	Assembly, Door Lock, Catch
37	404-4	Nut, Hex Head (8-32)
38	202072	Housing, Fan
39	680456-1	Harness, Fan
40	360122-2	Motor, Fan, 120 Volt
	<b>360122-3</b>	<b>Fan Motor, 230 Volt</b>
	660441	Kit, Fan Add-On, 120 Volt
	<b>660441-1</b>	<b>Kit, Fan Add-On, 230 Volt</b>
	<b>360122-3</b>	<b>Fan Motor, 230 Volt</b>
41	202070	Screen Bracket
	202235	Cover Plate (Use w/o fan)
42	202071	Screen



Item No.	Part No.	Description
1	750101-18	Cabinet Assembly Complete, w/Legs, Ambient Specify Color, LCM1
	750101-21	Cabinet Assembly Complete, w/Legs, Chilled Specify Color, LCM1
	<b>750101-19</b>	<b>Cabinet Assembly Complete, w/Legs, Ambient Specify Color, LCM2</b>
	<b>750101-22</b>	<b>Cabinet Assembly Complete, w/Legs, Chill Specify Color, LCM2</b>
2	202119	Filler Plate, Left Front
4	276-8R6	Screw, Pan Head, Self Tap (8-32 x 3/8)
5	202120	Shelf Support, Left Front
6	640177-2	Assembly, Cabinet Shelf Track, Left, LCM1
	<b>640177</b>	<b>Assembly, Cabinet Shelf Track, Left, LCM2</b>
7	201386- 1	Gum & Mint Filler Panel (Use w/o Gum & Mint Shelf)
9	202317	Filler Plate, Right Front
10	640177-3	Assembly, Cabinet Shelf Track, Right, LCM1
	<b>640177-1</b>	<b>Assembly, Cabinet Shelf Track, Right, LCM2</b>
11	202177	Cabinet Receptacle, Mounting Bracket Only
12	420142-2	Drive Pin
13	660516	Assembly Complete, Cabinet Back Harness, 6 Shelves

Item No.	Part No.	Description
	680575	Harness Only, 5 Shelf
	660555	Assembly Cabinet Harness w/Brackets. 5 Shelf
14	404-6	Nut, Hex Head (6-32)
15	380303	Assembly, Line Filter
16	16600092	Assembly Complete, Light Ballast & Filter, 120 Volt
	<b>1600092-03</b>	<b>Assembly Complete, Light &amp; Ballast &amp; Filter, 230 Volt</b>
	202251	Cover Mounting Plate Only
17	276-6R6	Screw, Pan Head (6-32 x 3/8)
18	680514	Ballast Only, 120 Volt
	<b>680513-2</b>	<b>Ballast Only, 230 Volt</b>
19	16600098	Assembly, Power Inlet Cord Ambient, 115 Volt
	<b>16600099</b>	<b>Assembly, Power Inlet Cord,Complete, AP/UK,Export</b>
	<b>16600099-01</b>	<b>Assembly, Power Inlet Cord,Complete, Australia, Export</b>
	<b>16600099-02</b>	<b>Assembly, Power Inlet Cord,Complete, Israel,Export</b>
	<b>16600099-03</b>	<b>Assembly, Power Inlet Cord,Complete, Multisnack</b>
20	380052-3	Strain Relief Bushing w/Screw
21	420078-1	Pop Rivet
22	202270	Power Inlet Cord Plate

# snack shelf

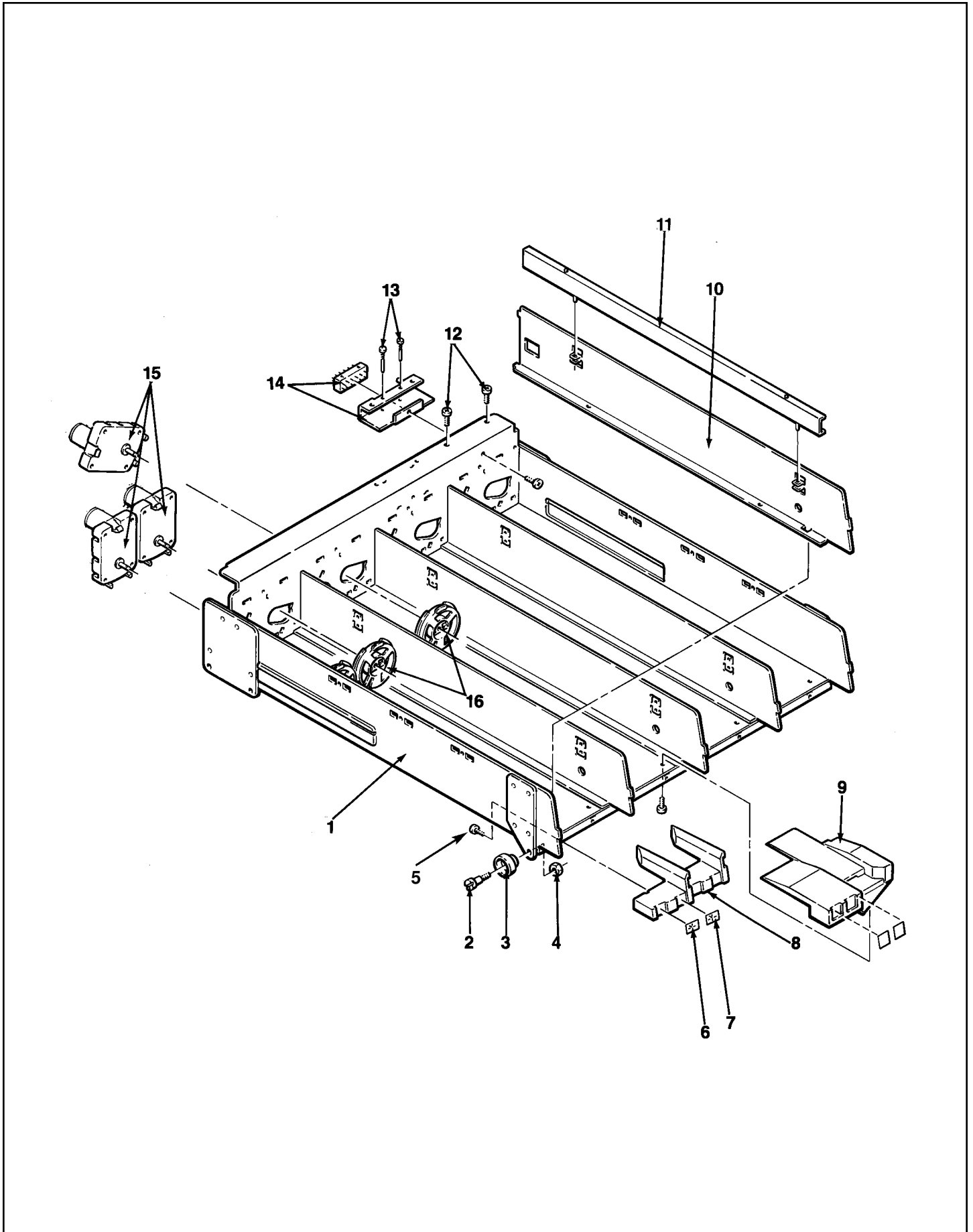




Item No.	Part No.	Description
1	750121-8	Assembly Complete, Snack Shelf w/o Spirals, LCM1
	<b>750121-7</b>	<b>Assembly Complete, Snack Shelf w/o Spirals, LCM2</b>
	750162-7	Assembly Complete, Dual Snack Shelf, LCM1
	<b>750162-8</b>	<b>Assembly Complete, Dual Snack Shelf, LCM2</b>
	600267-5	Snack Shelf Only, LCM1
	<b>600267-6</b>	<b>Snack Shelf Only, LCM2</b>
2	750159-1	Kit, Dual Spiral Add-on
	360169-1	Dual Spiral Motor Only, Black & White
3	360138-1	Vend Motor Complete, Gray & White
4	300203	Screw, Shelf Roller
5	440362	Shelf Roller
6	437-41	Nut, Keps (28 x 1/4)
7	305-8R6	Screw, Pan Head, Phillips, Plastite (8-16 x 3/8)
8	440285	Tab Holder, Price & Selection
9	460346	Tab, Item
10	460347	Tab, Price, Assorted, 25¢ - \$1.50
	460602	Tab, Price, Assorted, \$3.10 - \$4.05
	14600010	Tab, Price, Assorted, \$3.25 - \$5.50
11	440367	Dual Spiral Pastry Shelf, Front Only
13	<b>202770</b>	<b>Snack Shelf Extra Extension (Not Shown)</b>
	202770-1	Snack Shelf Extra Extension LCM1 (Not Shown)
	640101-1	Spacer, Snack Shelf, LCM1
	<b>640101</b>	<b>Spacer, Snack Shelf, LCM2</b>
14	400184-1	Short Spiral, Left Hand, 4 Space, Chrome, LCM1
	400186-1	Short Spiral, Left Hand, 3 Space, Chrome, LCM1
	400174-1	Dual Spiral Only, Left Hand, 6 Space, Chrome, LCM1
	400175-1	Dual Spiral Only, Left Hand, 8 Space, Chrome, LCM1
	400176-1	Dual Spiral Only, Left Hand, 10 Space, Chrome, LCM1
	<b>400169-1</b>	<b>Dual Spiral Only, Left Hand, 10 Space, Chrome, LCM2</b>
	<b>400170-1</b>	<b>Dual Spiral Only, Left Hand, 12 Space, Chrome, LCM2</b>
	<b>400171-1</b>	<b>Dual Spiral Only, Left Hand, 15 Space, Chrome, LCM2</b>
	<b>400179-1</b>	<b>Dual Spiral Only, Left Hand, 9 Space, Chrome, LCM2</b>
	<b>400178-1</b>	<b>Dual Spiral Only, Left Hand, 7 Space, Chrome, LCM2</b>
15	400183-1	Short Spiral, Right Hand, 4 Space, Chrome, LCM1
	400185-1	Short Spiral, Right Hand, 3 Space, Chrome, LCM1
	400173-1	Dual Spiral Only, Right Hand, 6 Space, Chrome, LCM1
	400116-1	Dual Spiral Only, Right Hand, 8 Space, Chrome, LCM1
	400117-1	Dual Spiral Only, Right Hand, 10 Space, Chrome, LCM1
	<b>400166-1</b>	<b>Dual Spiral Only, Right Hand, 9 Space, Chrome, LCM2</b>
	<b>400164-1</b>	<b>Dual Spiral Only, Right Hand, 7 Space, Chrome, LCM2</b>
	<b>400168-1</b>	<b>Dual Spiral Only, Right Hand, 10 Space, Chrome, LCM2</b>
	<b>400121-1</b>	<b>Dual Spiral Only, Right Hand, 15 Space, Chrome, LCM2</b>
	<b>400120-1</b>	<b>Dual Spiral Only, Right Hand, 12 Space, Chrome, LCM2</b>
16	276-8R6	Screw, Pan Head, Self Tap (8-32 x 3/8)
17	600601	Shelf Plug, Bracket Only
18	420142-2	Pin Drive
19	660435-5	Assembly Complete, Harness & Plug Bracket
	680448	Harness, Pastry Shelf Only

Item No.	Part No.	Description
20	440366	Spiral Retainer, Left Hand, Gray
21	440287	Spiral Retainer, White
22	201534	Front Support Only
23	660330-3	Assembly, Product Rail, Pastry, LCM1
	<b>660330-2</b>	<b>Assembly, Product Rail, Pastry, LCM2</b>
	440148-2	Plastic Product Rail Only
24	200913	Rear Support Bracket Only, Pastry Spiral
25	400124-1	Snack Spiral, 6 Space, Chrome, LCM1
	400125-1	Snack Spiral, 8 Space, Chrome, LCM1
	400126-1	Snack Spiral, 10 Space, Chrome, LCM1
	400165-1	Snack Spiral, 4 Space, Chrome, LCM1
	<b>400127-1</b>	<b>Snack Spiral, 10 Space, Chrome, LCM2</b>
	<b>400128-1</b>	<b>Snack Spiral, 12 Space, Chrome, LCM2</b>
	<b>400129-1</b>	<b>Snack Spiral, 15 Space, Chrome, LCM2</b>
	<b>400136-1</b>	<b>Snack Spiral, 30 Space, Chrome, LCM2</b>
	<b>400137-1</b>	<b>Snack Spiral, 40 Space, Chrome, LCM2</b>
	<b>400153-1</b>	<b>Snack Spiral, 7 Space, Chrome, LCM2</b>
	<b>400162-1</b>	<b>Snack Spiral, 6 Space, Chrome, LCM2</b>
	<b>400163-1</b>	<b>Snack Spiral, 18 Space, Chrome, LCM2</b>
	<b>1400002-01</b>	<b>Snack Spiral, 5 Space, Chrome, LCM2</b>
26	750083-1	Kit, Can Dispenser, LCM1
	<b>750083</b>	<b>Kit, Can Dispenser, LCM2</b>
27	440201	Drive Cam, Rear
28	751-31	Retaining Ring (31)
29	440200	Drive Cam, Front
30	300184	Bushing, Shoulder
	277-10R8	Screw, Type 23 (10-32 x 1/2)
31	400094-1	Wire, Actuator, LCM1
	<b>400094</b>	<b>Wire, Actuator, LCM2</b>
32	440196	Trim, Price & Selection
33	440199	Lever, Stop
34	440198	Leg, Top Can Guide & Sign Trim
35	440197	Top, Can Guide & Sign Trim
36	600308-1	Dispenser, Can, Trough Only, LCM1
	<b>600308</b>	<b>Dispenser, Can, Trough Only, LCM2</b>
37	640109	Cam, Mounting Bracket & Spring Assembly

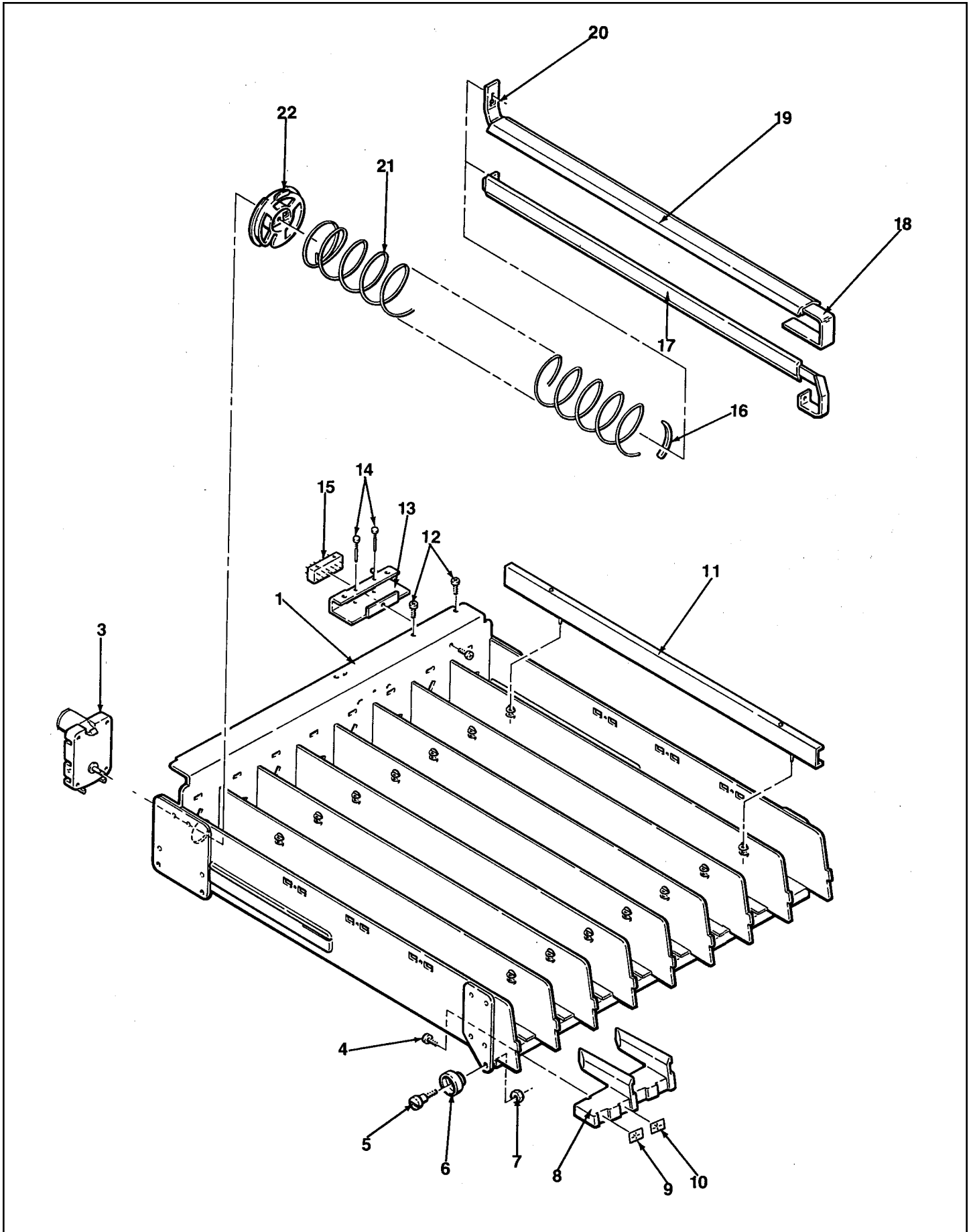
# convertible shelf



Item No.	Part No.	Description
1	750148-10	Assembly Complete, Convertible Shelf (4 Snack Selections) w/o Spirals, LCM1
	750148-11	Assembly Complete, Convertible Shelf (3 Snack Selections, 2 Candy) w/o Spirals, LCM 1
	750148-12	Assembly Complete, Convertible Shelf (2 Snack Selections, 4 Candy) w/o Spirals, LCM 1
	750148-13	Assembly Complete, Convertible Shelf (1 Snack Selections, 6 Candy) w/o Spirals, LCM 1
	750148-14	Assembly Complete, Convertible Shelf (8 Candy Selections) w/o Spirals, LCM1
	<b>750149-10</b>	<b>Assembly Complete, Convertible Shelf (4 Snack Selections) w/o Spirals, LCM2</b>
	<b>750149-11</b>	<b>Assembly Complete, Convertible Shelf (3 Snack Selections, 2 Candy) w/o Spirals, LCM2</b>
	<b>750149-12</b>	<b>Assembly Complete, Convertible Shelf (2 Snack Selections, 4 Candy) w/o Spirals, LCM2</b>
	<b>750149-13</b>	<b>Assembly Complete, Convertible Shelf (1 Snack Selections, 6 Candy) w/o Spirals, LCM2</b>
	<b>750149-14</b>	<b>Assembly Complete, Convertible Shelf (8 Candy Selections) w/o Spirals, LCM2</b>
	750159-1	Kit, Dual Spiral Add-on w/o Spirals (Use per selection)
	600267-5	Convertible Shelf Only, LCM1
	<b>600267-6</b>	<b>Convertible Shelf Only, LCM2</b>
	2	300203
3	440362	Roller, Shelf
4	437-41	Nut, Keps (28 x 1/4)
5	305-8R6	Screw, Pan Hd, Phillips, Plastite (8-16 x 3/8)
6	460346	Tabs, Item
7	460347	Tabs, Price, Assorted 25¢ - \$1.50
	460740	Tabs, Price, Assorted 75¢ - \$1.25
	14600010	Tabs, Price, Assorted \$3.25 - \$5.50
	460347-1	Tabs, Price, All 30¢ - 35¢
	460347-2	Tabs, Price, All 40¢ - 45¢
	460347-3	Tabs, Price, All 50¢ - 55¢
	460347-4	Tabs, Price, All 60¢ - 65¢
	460347-5	Tabs, Price, All 70¢ - 75¢
	460347-6	Tabs, Price, All 80¢ - 85¢

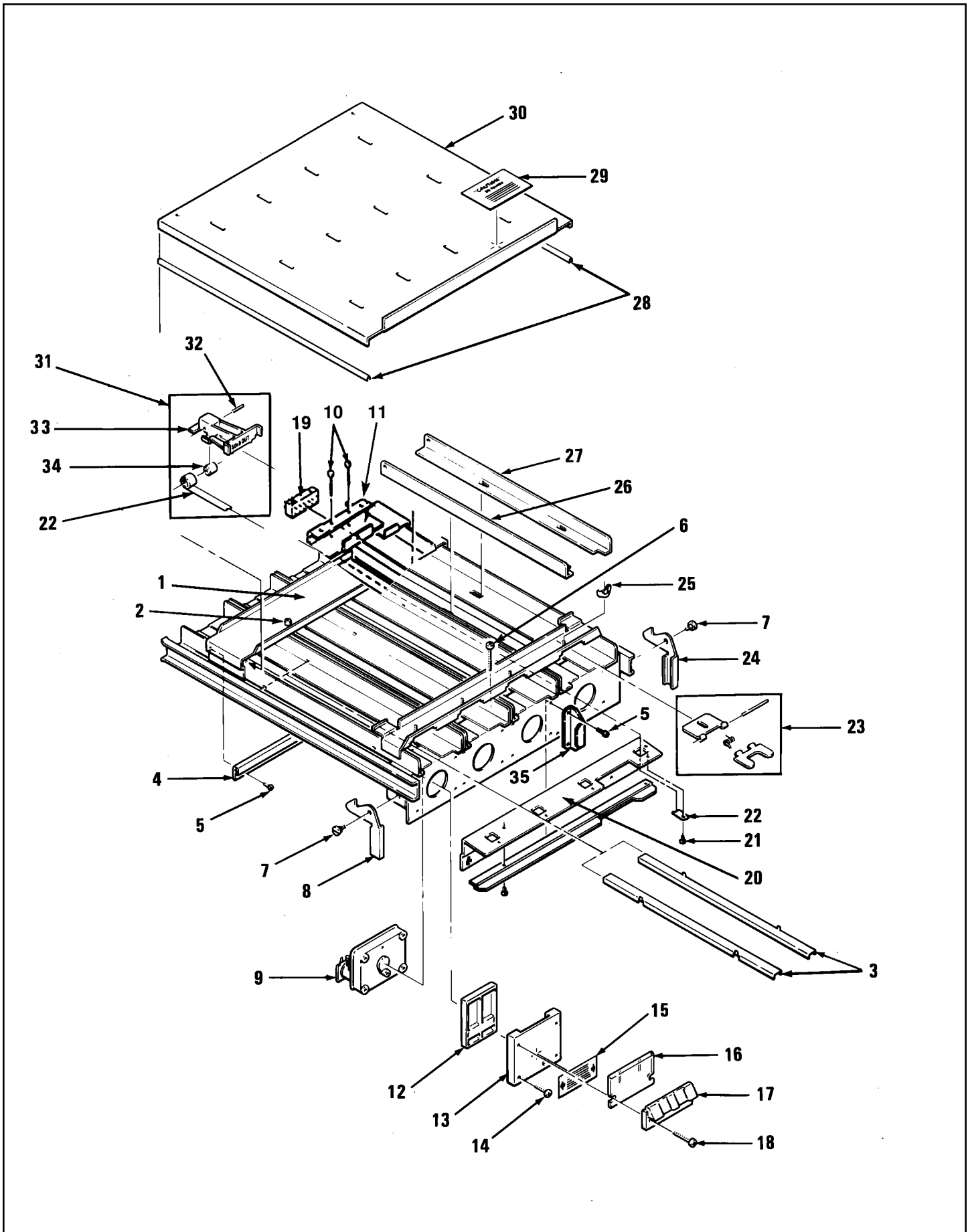
Item No.	Part No.	Description	
	460347-7	Tabs, Price, All 90¢ - 95¢	
	460347-8	Tabs, Price, All \$1.00 - \$1.05	
	460347-9	Tabs, Price, All \$1.10 - \$1.15	
	460347-10	Tabs, Price, All \$1.20 - \$1.25	
	460347-11	Tabs, Price, All \$1.30 - \$1.35	
	460347-12	Tabs, Price, All \$1.40 - \$1.45	
	460347-13	Tabs, Price, All \$1.50 - \$1.55	
	460347-14	Tabs, Price, All \$1.60 - \$1.65	
	460347-15	Tabs, Price, All \$1.70 - \$1.75	
	460347-16	Tabs, Price, All \$1.80 - \$1.85	
	460347-17	Tabs, Price, All \$1.90 - \$1.95	
	460347-18	Tabs, Price, All \$2.00 - \$2.05	
	460347-19	Tabs, Price, All \$2.10 - \$2.15	
	460347-20	Tabs, Price, All \$2.20 - \$2.25	
	460347-21	Tabs, Price, All \$2.30 - \$2.35	
	460347-22	Tabs, Price, All \$2.40 - \$2.45	
	460347-23	Tabs, Price, All \$2.50 - \$2.55	
	460347-24	Tabs, Price, All \$2.60 - \$2.65	
	460347-25	Tabs, Price, All \$2.70 - \$2.75	
	460347-26	Tabs, Price, All \$2.80 - \$2.85	
	460347-27	Tabs, Price, All \$2.90 - \$2.95	
	460347-28	Tabs, Price, All \$3.00 - \$3.05	
		<b>460529</b>	<b>Tabs, Price, French</b>
		<b>460540</b>	<b>Tabs, Price, Mexico</b>
		<b>460561</b>	<b>Tabs, Price, Spanish</b>
		<b>460644</b>	<b>Tabs, Price, English</b>
		<b>460727</b>	<b>Tabs, Price, Italian</b>
	8	440262	Tab Holder, Price/Selection, Offset Candy (See page 25, Item 21 for Candy Spirals)
9	440285	Tab Holder, Price/Selection, Snack (See page 21, Item 25 for Snack Spirals)	
10	200753-6	Divider, Shelf, Candy, LCM1	
	<b>200753-2</b>	<b>Divider, Shelf, Candy, LCM2</b>	
11	660178-2	Assembly, Candy Spacer, LCM1	
	<b>660178</b>	<b>Assembly, Candy Spacer, LCM2</b>	
12	276-8R6	Screw, Pan Head, Self Tap (8-32 x 3/8)	
13	420142-2	Pin, Drive	
14	660435-3	Harness, Candy Shelf w/Plug Bracket	
15	360138-1	Vend Motor Complete, Gray & White	
	750150-3	Kit, Convertible Shelf , 2 Selection Add-on, LCM 1	
	<b>750150-2</b>	<b>Kit Convertible Shelf Selection Add-on, LCM2</b>	
16	440287	Lock, Spiral, White	

# candy shelf



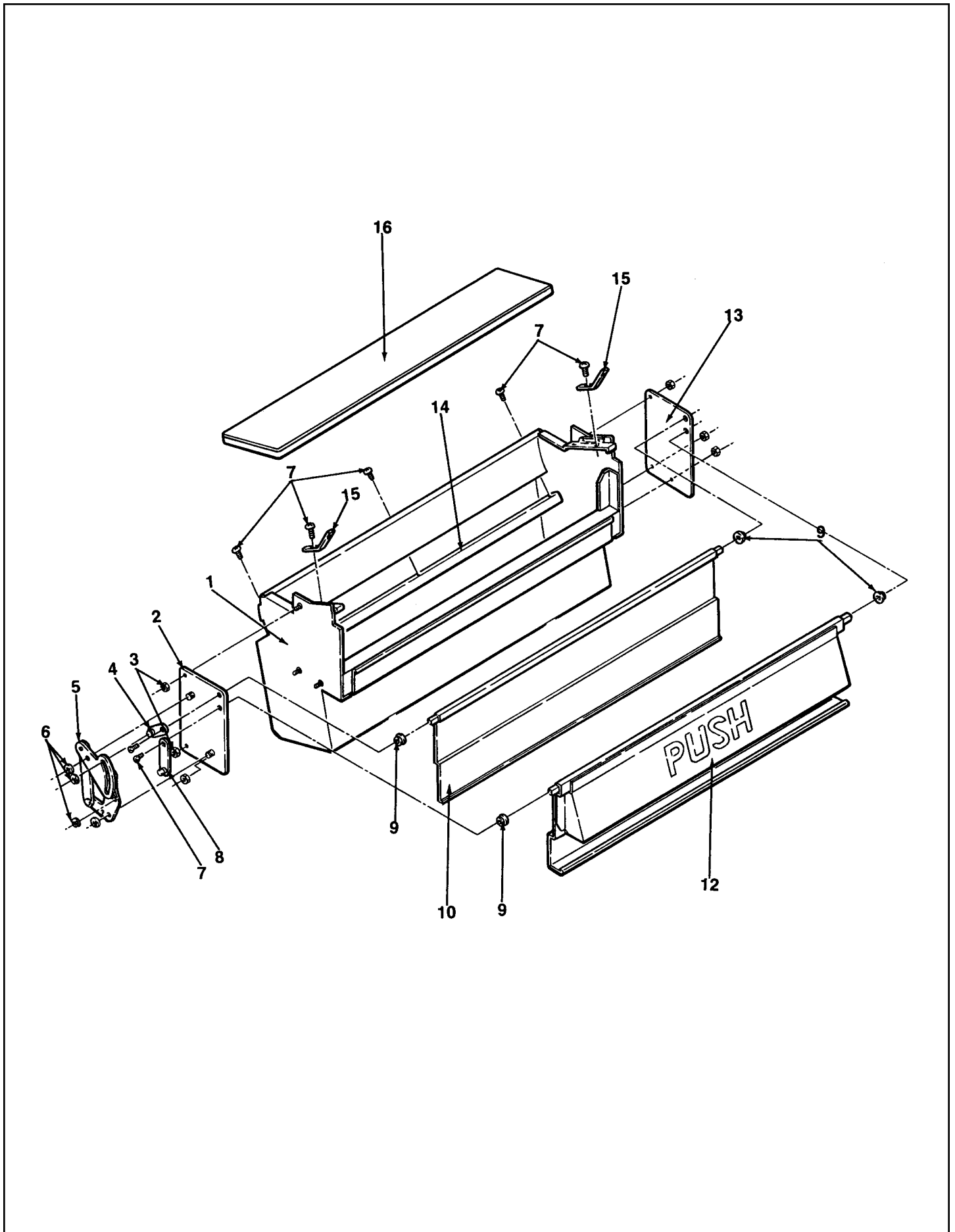
Item No.	Part No.	Description
1	750122-9	Assembly Complete, Candy Shelf w/o Coils, LCM 1
	<b>750122-8</b>	<b>Assembly Complete, Candy Shelf w/o Coils, LCM2</b>
	600268-3	Candy Shelf Only, LCM1
	<b>600268-4</b>	<b>Candy Shelf Only, LCM2</b>
3	360138-1	Vend Motor Complete, Gray & White
	360155-1	Vend Motor Complete, Half-cycle, Brown & Black
	750137	Kit, Half-cycle Add-on, LCM1
	<b>750137-2</b>	<b>Kit, Half-cycle Add-on, LCM2</b>
4	305-8R6	Screw, Pan Head, Plastite (8 x3/8)
5	300203	Screw, Shelf Roller
6	440362	Roller, Shelf
7	437-41	Nut, Keps (28 x 1/4)
8	440262	Tab Holder, Price & Selection, Off-set
9	460346	Tabs, Item
10	460347	Tabs, Price, Assorted 25¢ - \$1.50
	460602	Tabs, Price, Assorted \$3.10 - \$4.05
	460740	Tabs, Price, Assorted 75¢ - \$1.25
	460347-1	Tabs, Price, All 30¢ - 35¢
	460347-2	Tabs, Price, All 40¢ - 45¢
	460347-3	Tabs, Price, All 50¢ - 55¢
	460347-4	Tabs, Price, All 60¢ - 65¢
	460347-5	Tabs, Price, All 70¢ - 75¢
	460347-6	Tabs, Price, All 80¢ - 85¢
	460347-7	Tabs, Price, All 90¢ - 95¢
	460347-8	Tabs, Price, All \$1.00 - \$1.05
	460347-9	Tabs, Price, All \$1.10 - \$1.15
	460347-10	Tabs, Price, All \$1.20 - \$1.25
	460347-11	Tabs, Price, All \$1.30 - \$1.35
	460347-12	Tabs, Price, All \$1.40 - \$1.45
	460347-13	Tabs, Price, All \$1.50 - \$1.55
	460347-14	Tabs, Price, All \$1.60 - \$1.65
	460347-15	Tabs, Price, All \$1.70 - \$1.75
	460347-16	Tabs, Price, All \$1.80 - \$1.85
	460347-17	Tabs, Price, All \$1.90 - \$1.95
	460347-18	Tabs, Price, All \$2.00 - \$2.05
	460347-19	Tabs, Price, All \$2.10 - \$2.15
	460347-20	Tabs, Price, All \$2.20 - \$2.25
	460347-21	Tabs, Price, All \$2.30 - \$2.35
	460347-22	Tabs, Price, All \$2.40 - \$2.45
	460347-23	Tabs, Price, All \$2.50 - \$2.55
	460347-24	Tabs, Price, All \$2.60 - \$2.65
	460347-25	Tabs, Price, All \$2.70 - \$2.75
	460347-26	Tabs, Price, All \$2.80 - \$2.85
	460347-27	Tabs, Price, All \$2.90 - \$2.95
	460347-28	Tabs, Price, All \$3.00 - \$3.05

Item No.	Part No.	Description
	<b>460529</b>	<b>Tabs, Price, French</b>
	<b>460540</b>	<b>Tabs, Price, Mexico</b>
	<b>460644</b>	<b>Tabs, Price, English</b>
	<b>460727</b>	<b>Tabs, Price, Italian</b>
11	660178-2	Assembly, Candy Spacer, LCM1
	<b>660178</b>	<b>Assembly, Candy Spacer, LCM2</b>
	660178-3	Assembly, Candy Spacer, Use w/Half-cycle Motor, LCM1
	<b>660178-4</b>	<b>Assembly, Candy Spacer, Use w/Half-cycle Motor, LCM2</b>
12	276-8R6	Screw, Pan Head, Self Tap (8-32 x 3/8)
13	600601	Plug, Shelf, Bracket Only
14	420142-2	Pin, Drive
15	660435-4	Harness & Bracket Complete
	680447-1	Harness, Candy Shelf Only
16	440141-1	Product Pusher, Candy
17	660296-1	Guide, Small Product, LCM1
	<b>660296</b>	<b>Guide, Small Product</b>
	660503-1	Assembly, Product Rail, Half-cycle Motor, LCM1
	<b>660503</b>	<b>Assembly, Product Rail, Half-cycle Motor, LCM2</b>
18	201258	Front Support Only
19	660191-2	Assembly, Product Rail, Candy Spiral, LCM
	<b>660191</b>	<b>Assembly, Product Rail, Candy Spiral, LCM2</b>
	440148-2	Plastic Product Rail Only, LCM1
	<b>440148-1</b>	<b>Plastic Product Rail Only, LCM2</b>
20	200913	Rear Support Only
21	400116-1	Spiral, Candy, 8 Space, LCM1
	400117-1	Spiral, Candy, 10 Space, LCM1
	400118-1	Spiral, Candy, 12 Space, LCM1
	400119-1	Spiral, Candy, 16 Space, LCM1
	400134-1	Spiral, Candy, 20 Space, LCM1
	400173-1	Spiral, Candy, 6 Space, LCM1
	<b>400120-1</b>	<b>Spiral, Candy, 12 Space, LCM2</b>
	<b>400121-1</b>	<b>Spiral, Candy, 15 Space, LCM2</b>
	<b>400122-1</b>	<b>Spiral, Candy, 18 Space, LCM2</b>
	<b>400123-1</b>	<b>Spiral, Candy, 24 Space, LCM2</b>
	<b>400135-1</b>	<b>Spiral, Candy, 30 Space, LCM2</b>
	<b>400138-1</b>	<b>Spiral, Candy, 40 Space, LCM2</b>
	<b>400164-1</b>	<b>Spiral, Candy, 7 Space, LCM2</b>
	<b>400166-1</b>	<b>Spiral, Candy, 9 Space, LCM2</b>
	<b>400167-1</b>	<b>Spiral, Candy, 6 Space, LCM2</b>
	<b>400168-1</b>	<b>Spiral, Candy, 10 Space, LCM2</b>
22	440287	Spiral, Retainer, White



Item No.	Part No.	Description
1	16600004	Assembly Complete, Gum & Mint Shelf, LCM 1
	<b>16600007</b>	<b>Assembly Complete, Gum &amp; Mint Shelf, LCM2</b>
	<b>16600005</b>	<b>Assembly Complete, Gum &amp; Mint Shelf, LCM2 Export, Australia</b>
	16000002	Gum & Mint Shelf Only, LCM1
	16000003	Gum & Mint Shelf Only, LCM2
	<b>16000006</b>	<b>Gum &amp; Mint Tray Only, LCM2</b>
	750165-21	Kit, G/M, Add-on, LCM1
	750165-24	Kit, G/M, Add-on, LCM2, Domestic
	<b>750165-25</b>	<b>Kit, G/M, Add-on, LCM2, Export</b>
	<b>750165-22</b>	<b>Kit, G/M, Add-on, Export LCM1</b>
	<b>750165-23</b>	<b>Kit, G/M, Ad-on, LCM1 Australia</b>
	<b>750165-26</b>	<b>Kit, G/M, Add-on, LCM2 Australia</b>
2	420040-9	Snap Bushing & Hole Plug
3	201412-1	Adapter, Thin Mint (2 per selection), LCM1
	<b>201412</b>	<b>Adapter, Thin Mint (2 per selection), LCM2</b>
4	201458-1	Pusher Stop, Rear, Gum & Mint
	<b>201458-3</b>	<b>Pusher Stop, Rear, Export, Gum &amp; Mint, LCM2</b>
5	276-8R6	Screw, Pan Head, Self Tap, Phillips (8-32 x 318)
6	217-8R12	Screw, Pan Head, Phillips, Type AB (1-3/8)
7	300184	Shoulder Bushing
	277-1OR8	Screw, Type 23 (10-32 x 1/2)
8	12000032-01	Shelf Latch, Left Side, Gum & Mint
9	360105-1	Motor, Gum & Mint , Black & White
10	420142-2	Drive Pin
11	600601	Shelf Plug Brkt.
12	440267	Ejector, Gum & Mint
13	440266	Shelf Front Base, Gum & Mint
14	305-7R16	Screw, Pan Head, Plastite (7 x 1)

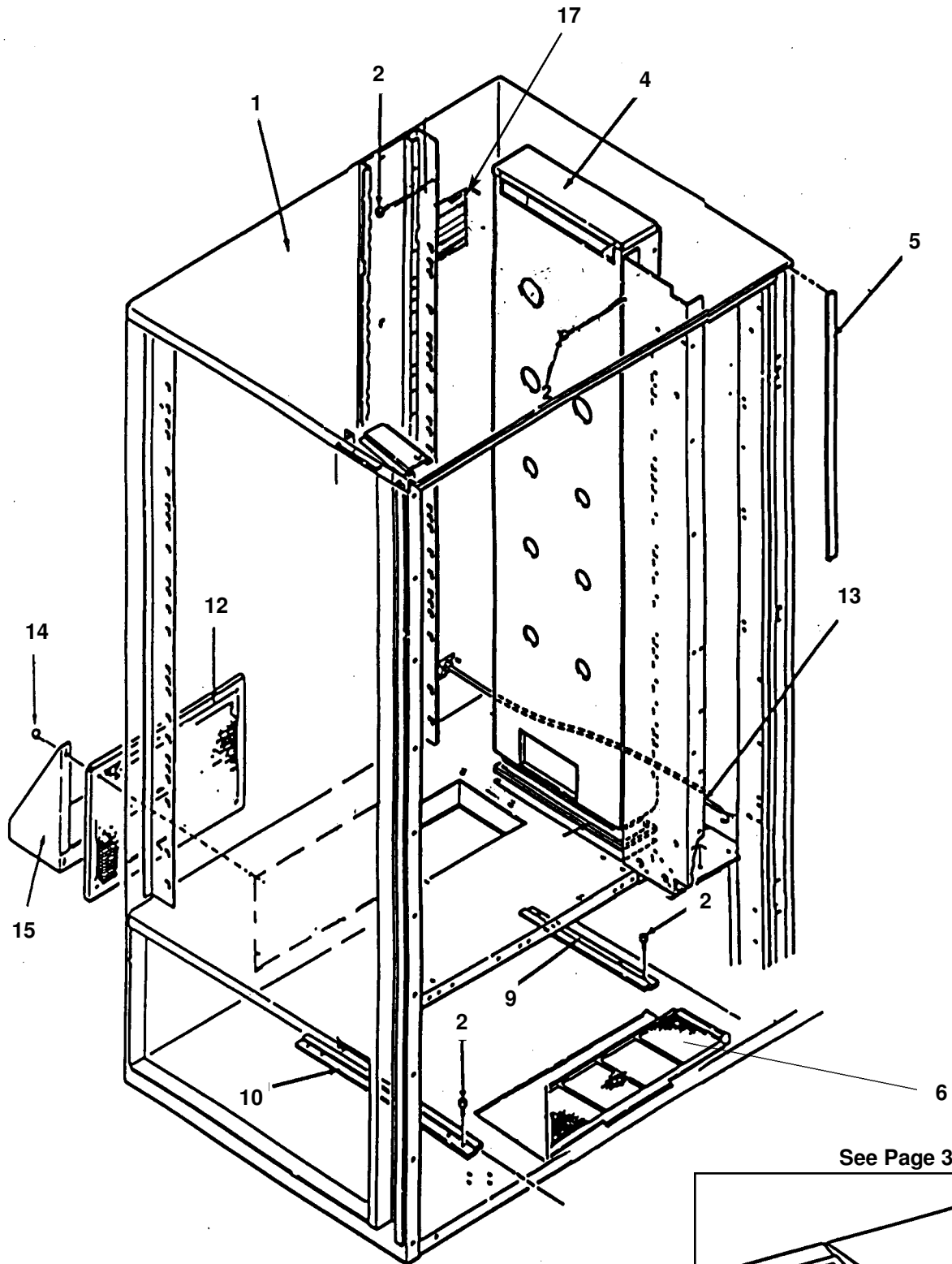
Item No.	Part No.	Description
15	460352	Decal, Shelf Latch, Gum & Mint
16	440270	Display Stop, Column Front, Gum & Mint
17	440273	Shelf Front, Gum & Mint
18	305-7R22	Screw, Pan Head, Plastite (7 x 1-3/8)
19	16600063	Assy. Harness, Shelf, Gum & Mint, LCM 1
	<b>16600066</b>	<b>Assy. Harness, Shelf, Gum &amp; Mint, Export</b>
	16600064	Assy. Harness, LCM2 US
	<b>16600067</b>	<b>Assy. Harness, LCM2, Australia, Export</b>
20	12000002-03	Strap, Pusher Stop, Gum & Mint
21	262-6R5	Screw, Flat Head, Phillips, Type 23 (6-32 x 5/16)
22	400106	Spring, Pusher Return, Gum & Mint
23	660314	Assembly, Hinge, Complete Gum & Mint Display
	<b>660314-1</b>	<b>Assembly, Hinge, Complete Gum &amp; Mint Australia</b>
24	12000032	Shelf Latch, Right Side, Gum & Mint
25	420023	Wing Nut (8-32)
26	201411-3	Spacer, Column, Left, LCM1
	<b>201411-1</b>	<b>Spacer, Column, Left, LCM2</b>
	201411-2	Spacer, Column, Right, LCM1
	<b>201411</b>	<b>Spacer, Column, Right, LCM2</b>
28	420296-1	Grommet, Shelf (NGS 1-14), LCM1
	<b>420296</b>	<b>Grommet, Shelf (NGS 1-22), LCM2</b>
29	460351	Decal, Caution, Gum & Mint Shelf
30	201409-1	Cover, Gum & Mint Shelf, LCM1
	<b>201409-2</b>	<b>Cover, Gum &amp; Mint Shelf, LCM2</b>
	201530-1	Cover, Gum & Mint Shelf, LCM1 Export
	<b>201530-2</b>	<b>Cover, Gum &amp; Mint Shelf, LCM2 Export</b>
31	660313	Assembly, Complete, Gum & Mint Pusher Spring
32	801C-125-12	Roll Pin (1/8 x 3/4)
33	440265	Pusher Only
34	440274	Roller, Pusher, Gum & Mint
35	201691	Closer, Shelf



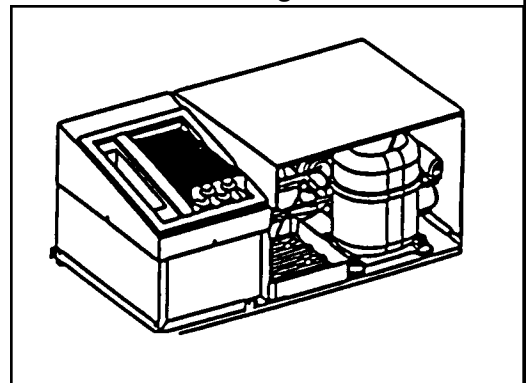


Item No.	Part No.	Description
1	660558-3	Delivery Bin Assembly, Complete, Gray
	660558-1	Delivery Bin Assembly, Complete, Black
	600704-1	Delivery Bin Only
2	640187-1	Arm Mounting Bracket
3	438-8	Nut, Keps (8-32)
4	640098	Inner Door Bin Arm
5	640100-1	Bin Door Drive Assembly
6	751-37	Retaining Ring (37)
7	276-8R6	Screw, Pan Head, Self Tap, Phillips (8-32 x 318)
8	640097	Door Drive Arm
9	440129	Door Bearing
	420282	Bin Door Washer (not shown)
10	200763-1	Inner Door
	200763-4	Inner Door, Steel
12	440373-3	Door, Delivery Bin, Gray
	440373-1	Door, Delivery Bin, Black
	440373-6	Door, Delivery Bin, Gray (Alliance)
	440373-7	Door, Delivery Bin, Black (Alliance)
13	202285	Arm Mounting Bracket
14	200902-1	Baffle, Rear Delivery Bin
15	200906	Delivery Bin Anchor Strap
16	420315-1	Delivery Bin Pad Assembly, Can Dispenser

Item No.	Part No.	Description



See Page 32



## chill machine supplement

Item No.	Part No.	Description
1	<b>16600077</b>	<b>Assembly Complete, Cabinet &amp; Insulation Only, Specify Color, LCM2</b>
2	276-8R6	Screw, Pan Head, Phillips (8-32 x 3/8)
4	12000081	Lower Air Duct
	12000087	Air Duct, LCM2
5	460468	Door Gasket, Order by Inches
6	660692	Front Vent Screen
	<b>680503</b>	<b>Harness, Power Interlock Box, Export</b>
9	12000009	Right Filler Plate
12	16600047	Vent Back Screen.
13	660505	Line Cold, U.S.
14	276-8R8	Screw, Pan HD. Phillips (8-32X1/2)
15	202471	Deflector
17	12000230	Hole Cover Cabinet Back
	12000003-01	Bin Close Off Plate (not shown)
		<b>INSULATION</b>
	12200001	Right Rear
	12200002	Right Shelf Support
	12200004	Back Left

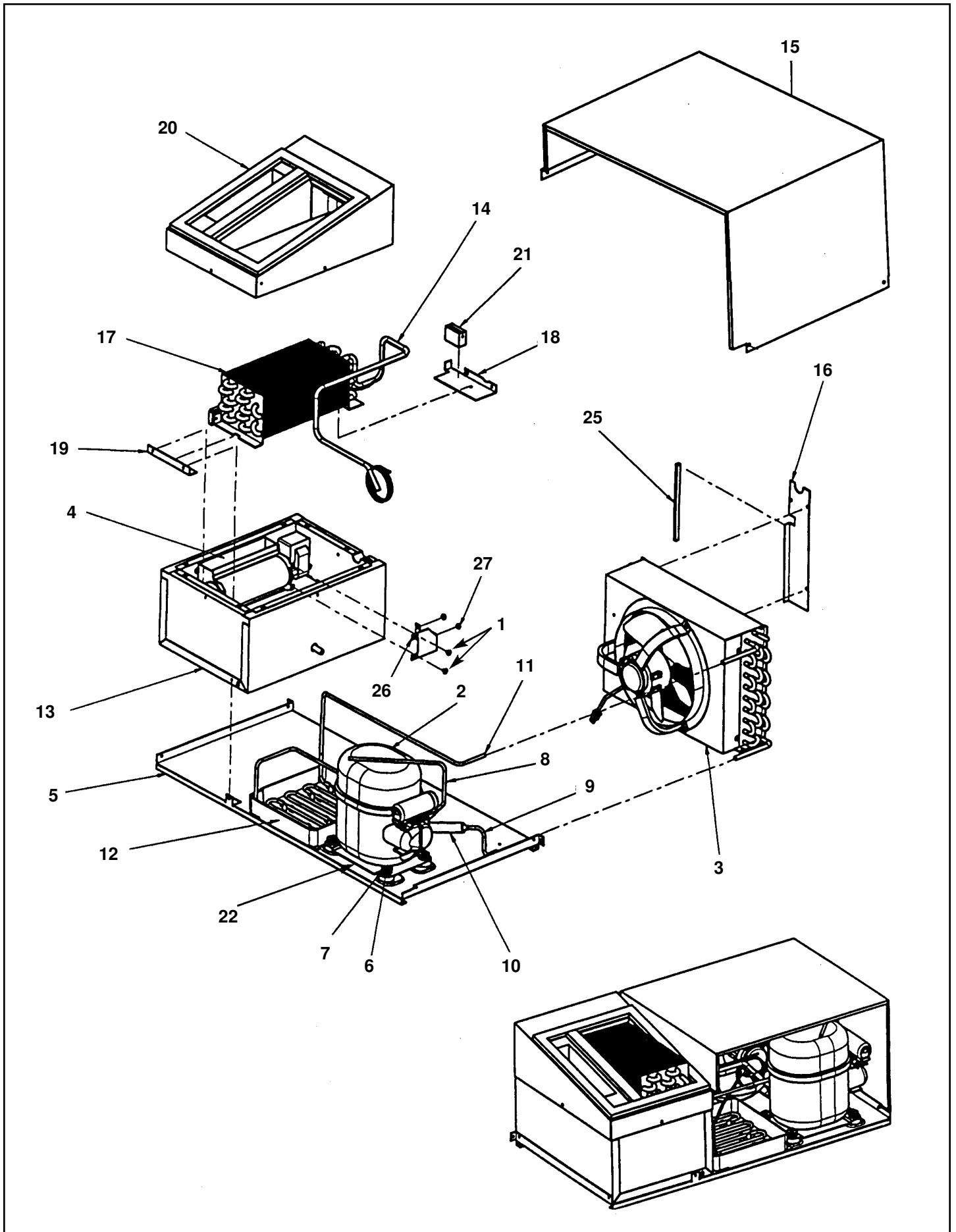
Item No.	Part No.	Description
	12200008	Shelf Rear
	12200009	Back
	12200010	Pivot Side
	12200012	Left Shelf Support
	12200013	Insulation Top Front
	12200014	Insulation Ballast Plate
	12200015	Insulation Filler Plate
	12200016	Insulation G/M Guard
	12200017	Foam Insulation, Shelf
	12200024	Foam Insulation, Front
	12200025	Foam Insulation, Rear
	12200029	Insulation Lower Air Duct
	12200030	Shelf Front
	12200031	Insulation Shelf
	12200032	Foam Insulation, Rear Shelf Front Pivot Side
	12200033	Insulation Cabinet Top
	12200034	Top
	12200035	Lock Side
	12200036	Top Lock Side Insulation Shelf
	12200053	Right Filler Plate
	420385-1	Insulation Pivot Side Chanel Top, 1/2"
	420386-1	Insulation Pivot Side Chanel Front 3/4"

## LCM1 chill machine only

Item No.	Part No.	Description
1	16600076	Assembly Complete, Cabinet & Insulation Only, Specify Color
2	276-8R6	Screw, Pan Hd Phillips (8-32 x 3/8)
4	12000004	Air Duct
	12000081	Lower Air Duct
5	460468	Door Gasket, Order by Inches
6	660692	Front Vent Screen
12	16600047	Back Vent Screen
14	276-8R8	Screw Pan Hd Phillips (8-32 x 1/2)
15	202842	Deflector
17	12000230	Hole Cover Cabinet Back
	12000003	Bin Close Off Plate (not shown)

Item No.	Part No.	Description

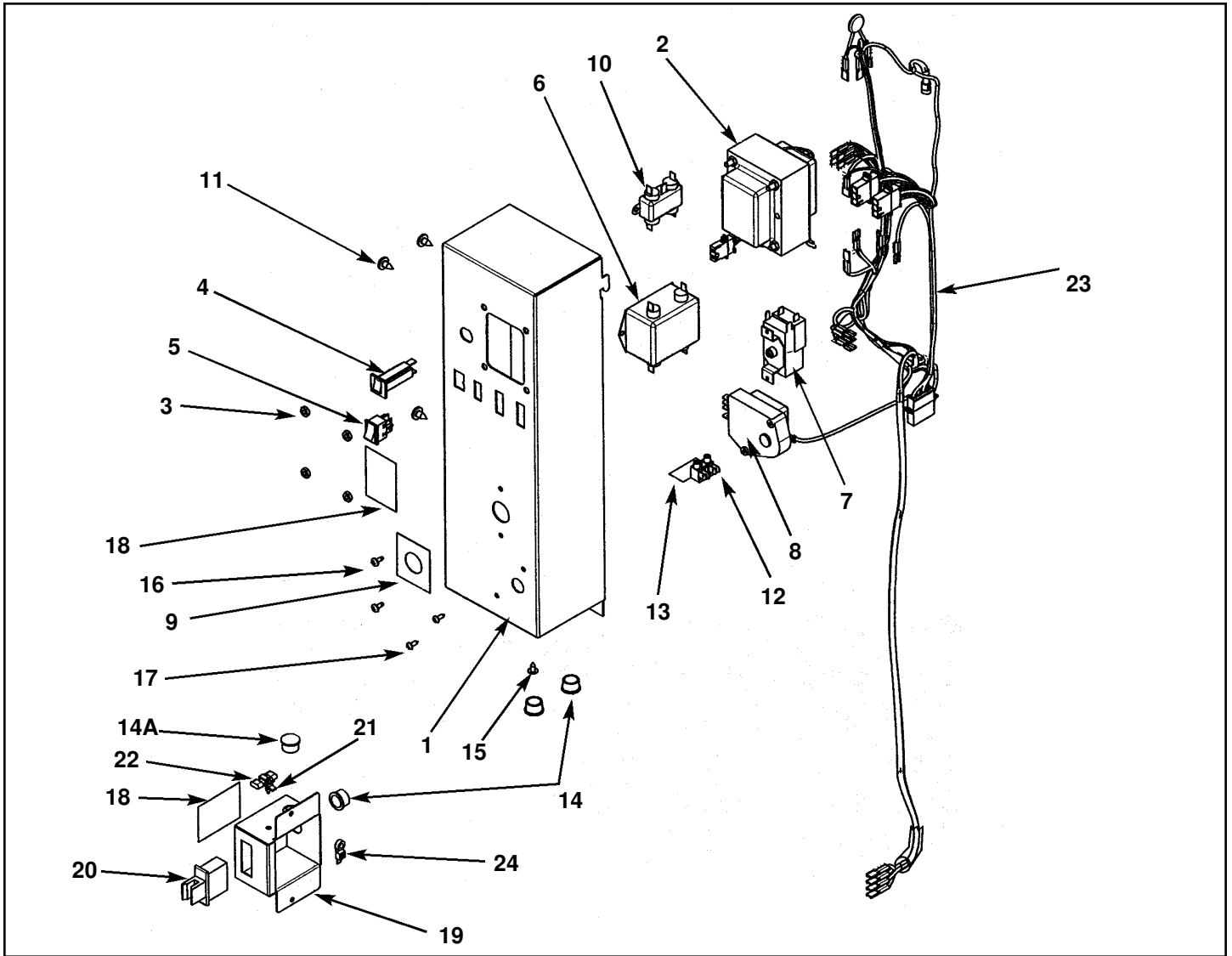
# chill machine supplement



Item No.	Part No.	Description
	16600041 16600041-01 16600108	Refrigeration Assembly Complete 120V, 60 Hz <b>Refrigeration Assembly Complete 230V, 50 Hz</b> <b>Refrigeration Assembly Complete 220V, 60 Hz (Brazil).</b>
1	210-8R6	All screws #8 X 3/8.Qty. 26
2	360270 <b>360271</b> <b>16700004</b>	Compressor 120V, 60 Hz - Rerigerant 134A-9 oz. <b>Compressor 230V, 50 Hz</b> <b>Compressor 220V, 60 Hz</b>
3	660720 <b>660720-1</b>	Condenser Complete Domestic <b>Condenser Complete 220-240 V</b>
4	1670003 <b>1670003-01</b>	Evaporator Fan Motor 120V <b>Evaporator Fan Motor 220-240V</b>
5	12000063	Refrigeration Mounting Plate
6	300225	Compressor Mounting Pin
7	420426	Compressor Mounting Clip
8	420425 <b>420425-1</b> <b>12100006</b>	Tube - Process 120V, 60 Hz <b>Tube Process - 230V,50 Hz</b> <b>Tube Process - 220V, 60 Hz</b>
9	420028	Tube - Condenser Outlet
10	420027	Drier
11	12100001 <b>12100001-01</b> <b>12100007</b>	Tube - Compressor Discharge 1207V,60Hz <b>Tube - Compressor Discharge 230V, 50 Hz.</b> <b>Tube - Compressor Discharge 220V, 60 Hz.</b>
12	440459 14600026	Evaporator Pan Evaporation Pad (Wick) (not shown)
13	16400002	Evaporator Housing Assembly
14	12100004	Capillary / Suction Line
15	12000065	Cover Condensing Unit
16	12000064	Bracket - Condensing Unit Cover
17	16600062	Evaporator /Bracket Assembly
18	12000070	Evaporator Bracket Rear
19	12000071	Evaporator Bracket Front
20	16600040	Evaporator Top Assembly
21	13300005	Evaporator Air Block
22	460728 460713 <b>460714</b>	Plastic Condenser Unit Base, LCM1. Narrow Spaced Pins - 3 inch, 220V Plastic Condenser Unit Base, LCM1. Wide Spaced Pins - 7 inch, 120V <b>Large Plastic Base, LCM2. Square</b>
25	1300001	Gasket, 1/4 X 5/16

Item No.	Part No.	Description
26	202893	Evaporator Motor Bracket
27	404 - 08	Hex Nut 8 - 32 <b>Not Shown</b>
	360270-2 <b>360271-2</b> <b>16700004-08</b>	Start Capacitor, 120V, 60 Hz <b>Start Capacitor, 230V, 50 Hz</b> <b>Start Capacitor, 220V, 60 Hz</b>
	360270-8 <b>360271-8</b> <b>16700004-01</b>	Overload Protector, 120V, 60 Hz <b>Overload Protector, 230V, 50 Hz</b> <b>Overload Protector, 220V, 60 Hz</b>
	360270-7	Retainer Clip (overload)
	368270-11 <b>360271-11</b> <b>16700004-10</b>	Start Relay, 120V 60 Hz <b>Start Relay, 230V 50 Hz</b> <b>Start Relay, 220V, 60 Hz</b>
	360270-14	Electrical Cover
	360270-9	Clip, Electrical cover
	360270-4	Compressor Clip

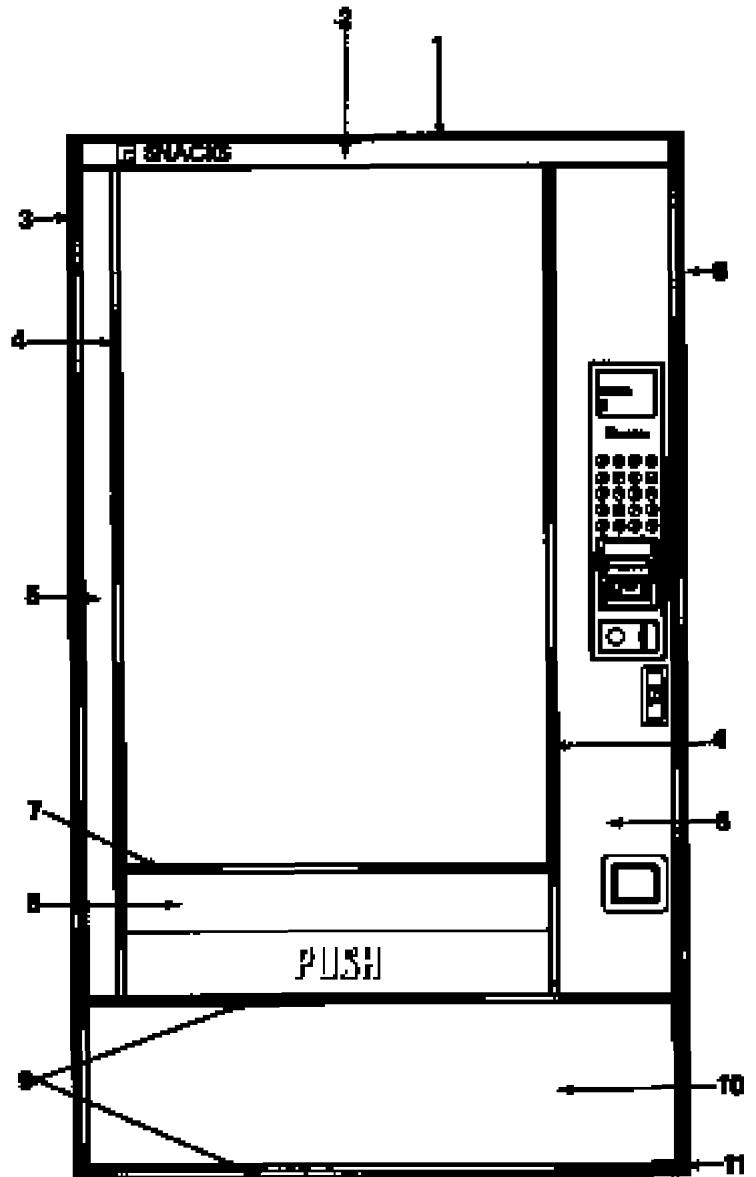
# main junction box



Item No.	Part No.	Description	
1	16600070	Assembly Junction Box, 120V, AMB, LCM	
	16600051	Assembly Junction Box, 120V, LCM Chill	
	16600071-01	<b>Assembly Junction Box, 120V, LCM Export</b>	
	16600072-01	<b>Assembly Junction Box, 230V, LCM Export</b>	
	16600056-01	<b>Assembly Junction Box, 120V, LCM Chilled Export</b>	
	16600052-01	<b>Assembly Junction Box, 230V, 50HZ, LCM Chilled Export</b>	
	16600052-03	<b>Assembly Junction Box, 220V, 60HZ, LCM Chilled Export</b>	
	12000098	Junction Box Only	
	2	13900001	Transformer, 120V
		<b>13900002</b>	<b>PS Transformer, 230V</b>
3	438-8	Nut, Keps (438-8)	
4	380241	Circuit Breaker, 3 AMP	
5	380243	Switch, Rocker (On-Off)	
6	380304	Filter, P.S.	
7	13600002	Cold Control	
8	380320	Defrost Timer, 120V	
	<b>380320-1</b>	<b>Defrost Timer, 230V</b>	
	<b>380320-2</b>	<b>Defrost Timer, 220V, 60HZ</b>	
9	460571	Label, Cold Control	
10	380303	Filter-Light	
11	216-41R8	Screw, PN/NIBS HD Type AB (1/4 x 1/2)	

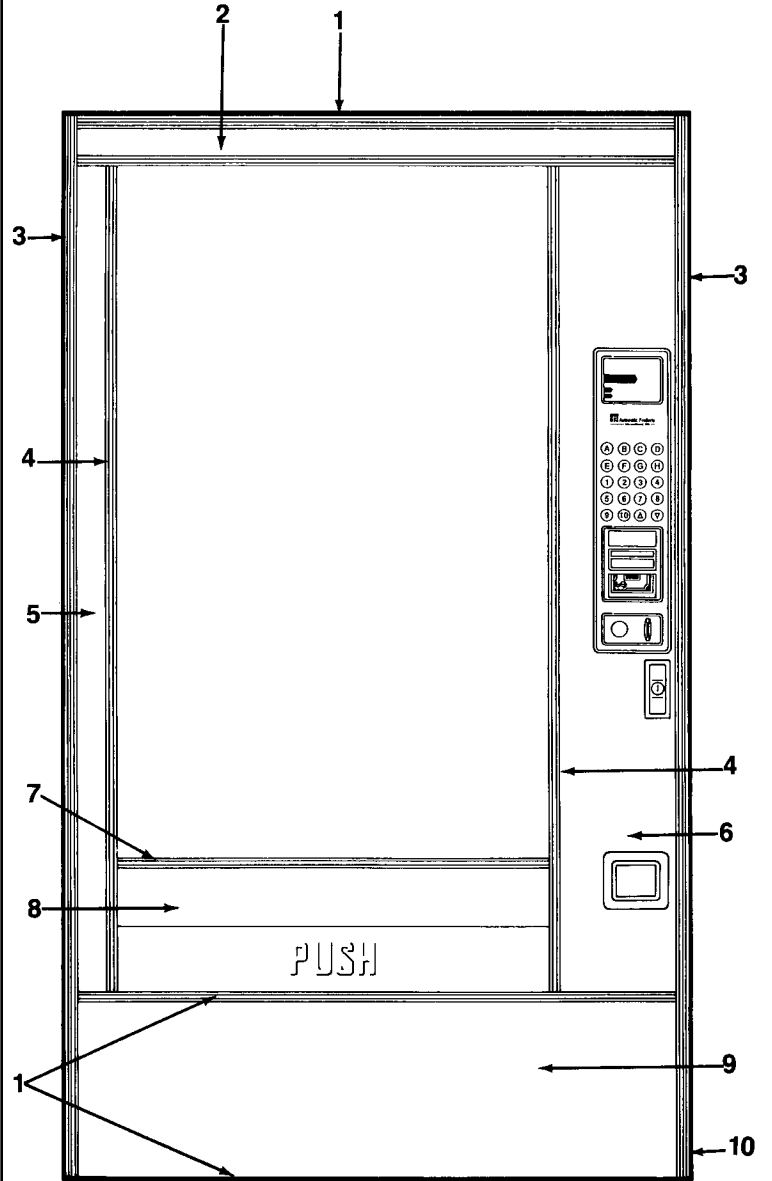
Item No.	Part No.	Description
12	380285	Terminal Block
13	440065	Mylar Insulation
14	420040-2	Snap Bushing/Hole Plugs (1/2)
14A	420040-1	Snap Bushing/Hole Plugs (5/8)
	420040-12	Snap Bushing/Hole Plugs (7/8)
15	210-8R6	Screw PH TR/NIBS A (#8 x 3/8)
16	276-8R6	Screw PH PAN HD T-23 (8-32 x 3/8)
17	201-6R7	Screw RD HD Type B (#6 x 7/16)
18	460642	Decal, Voltage Disconnect
19	202843	Door Switch Box
	<b>12000122</b>	<b>Door Switch Box, Export</b>
20	<b>380262</b>	<b>Door Switch, Export</b>
21	380321	Wire Saddle Side Entry
22	380263	Cheat Interlock Tool
23	16800021	Harness Junction Box, LCM Domestic Chill
	16800031	Harness Junction Box AMB, Domestic, 120V
	<b>16800014</b>	<b>Harness Junction Box, Export Chill, 220/230V</b>
	16800014-01	<b>Harness Junction Box, Export Chill 120V</b>
	16800030-01	<b>Harness Junction Box AMB, Export 120V</b>
	<b>16800030</b>	<b>Harness Junction Box AMB, Export 230V</b>
24	380078	Cable Tie

Item No.	Part No.	Description
1	340044-15	Trim, Top, For use w/Vinyl Insert
2	440258-9	Insert Top Trim "Snacks"
	201690-13	Top Insert Black Hide
3	340057	Trim, Outside Vertical (right or left)
4	340058-2	Trim, Inside Vertical (right or left)
5		PANEL, LEFT SIDE, VERTICAL
	202059-19	Presidential Walnut, Vinyl
	202059-43	Black Hide
	202059-20	Painted, Specify Color
6		PANEL, RIGHT SIDE VERTICAL
	12000205	Presidential Walnut
	12000205-22	Painted, Specify Color
	12000205-24	Black
7	340058-1	Trim, Inside Horizontal
8		PANEL, DELIVERY TRAY
	201356-8	Presidential Walnut, Vinyl
	201356-14	Painted, Specify Color
9	340055-29	Trim, Inside Horizontal
	201356-2	Black Hide
10		PANEL, LOWER HORIZONTAL
	200296-11	Presidential Walnut, Vinyl
	200296-15	Painted, Specify Color
	202296-54	Sterling Royce
11	16000040	Door Only, Specify Color



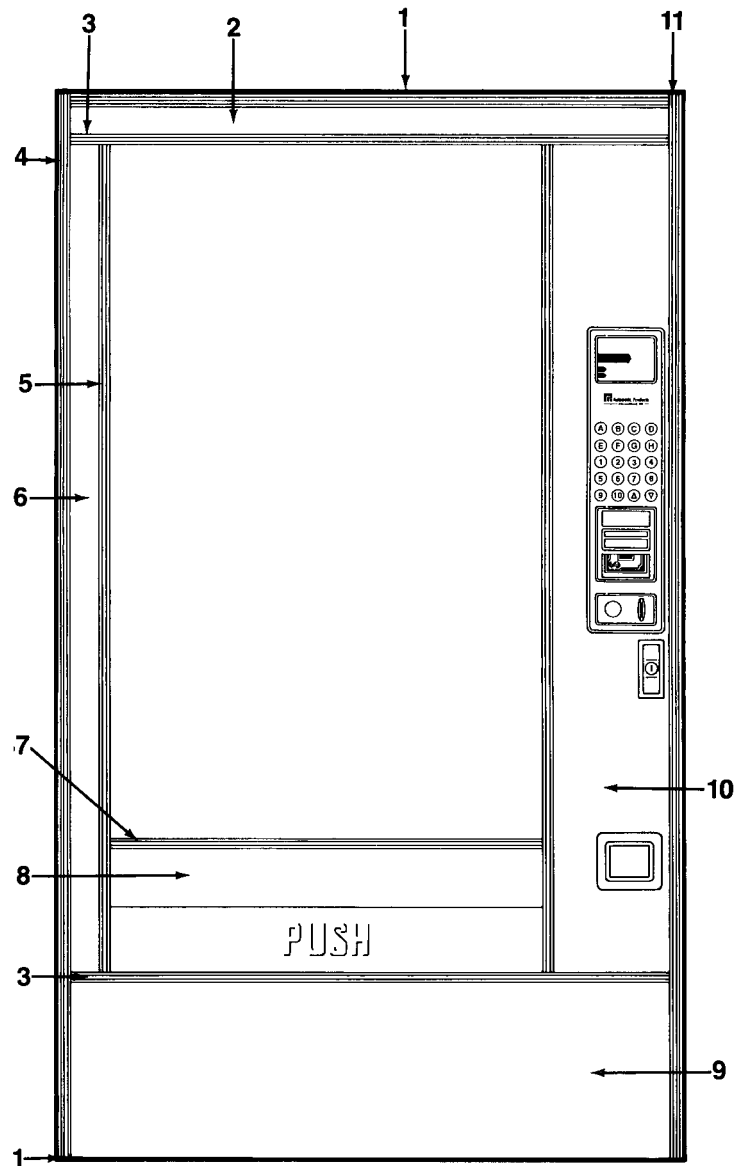
# cover-up plate 3

Item No.	Part No.	Description
1	660231-24	Trim, Horizontal w/Black Stripe
2		PANEL, COVERPLATE 3'
	201417-12	Presidential Walnut, Vinyl
	201417-16	Regency Walnut, Vinyl
	201690-22	Black Hide, Vinyl
	201417-13	Painted, Specify Color
	201417-20	Dove Gray
	201417-14	Teak
3	340057	Trim, Outside Vertical (right or left)
4	340058-4	Trim, Inside Vertical (right or left)
5		PANEL, LEFT SIDE VERTICAL
	202059-23	Presidential Walnut, Vinyl
	202059-32	Regency Walnut, Vinyl
	202059-43	Black Hide, Vinyl
	202059-26	Painted, Specify Color
	202059-25	Port Au Prince, Vinyl
	202059-55	Sterling Royce
	202059-36	Dove Gray
	202059-24	Teak
6		PANEL, RIGHT SIDE VERTICAL
	12000205-01	Presidential Walnut, Vinyl
	12000205-11	Black Hide, Vinyl
	12000205-23	Painted, Specify Color
	12000205-17	Sterling Royce
	12000205-18	Port Au Prince
	12000205-13	Dove Gray
	12000205-03	Teak
7	340058-1	Trim Inside Horizontal
8		PANEL, DELIVERY TRAY
	201356-8	Presidential Walnut, Vinyl
	201356-30	Regency Walnut, Vinyl
	201356-2	Black Hide, Vinyl
	201356-14	Painted, Specify Color
	201356-37	Dove Gray
	201356-11	Teak
9		PANEL, LOWER HORIZONTAL
	200296-11	Presidential Walnut, Vinyl
	200296-12	Regency Walnut, Vinyl
	200296-59	Black Hide, Vinyl
	200296-15	Painted, Specify Color
	200296-10	Dove Gray
	200296-13	Sterling Royce
	200296-14	Teak
10	16000040	Door Only, Specify Color



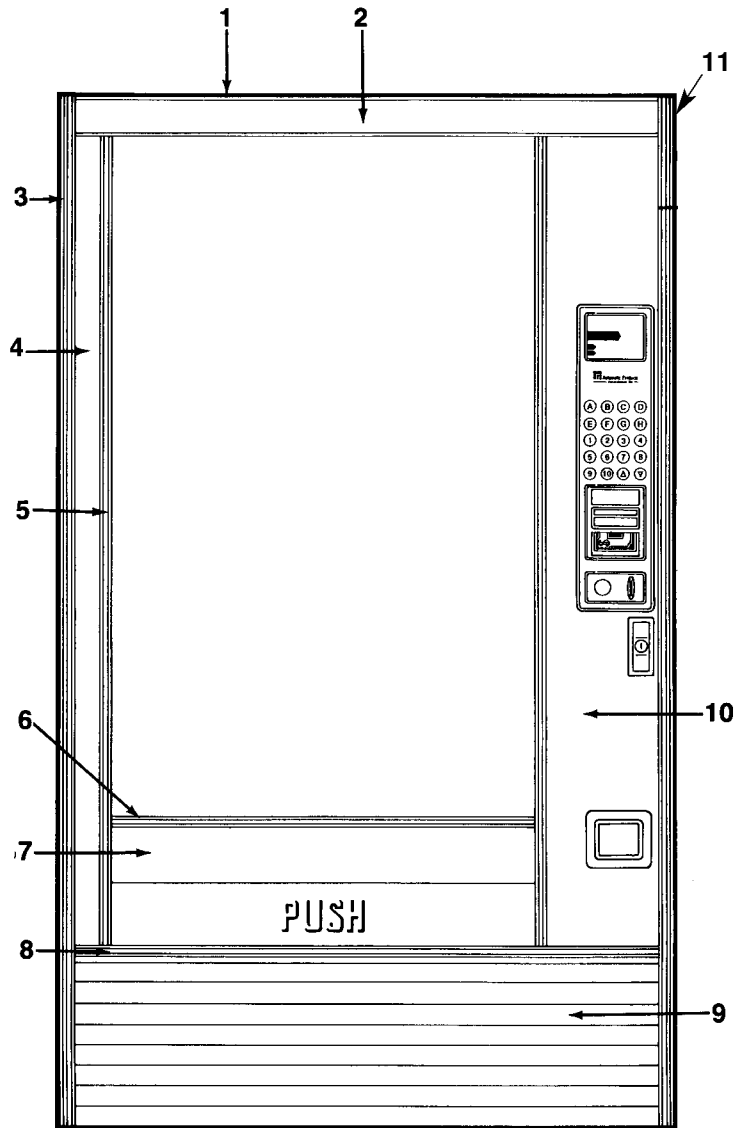


Item No.	Part No.	Description
1	340055-27	Trim, Horizontal
2	201417-17	Cover Up Plate, Galvanized
	440312-2	Top Insert, Black
3	660231-24	Trim Horizontal, Top & Bottom, w/Black Stripe
4	340057-2	Trim, Outside Vertical, Left or Right, Black
5	340058-8	Trim, Inside Vertical, Left or Right
6	202059-36	L S V P Dove Gray Tron
	202059-55	Sterling Royce
7	340058-1	Trim, Horizontal, Window
8	201356-35	Delivery Tray Panel, Sterling Royce
9	200296-10	Panel, Lower Horizontal, Dove Gray, Tron
	200296-55	Sterling Royce
10	12000205-13	R S V P Dove Gray, Tron
	12000205-17	Sterling Royce
11	16000040	Door Only. Specify Color

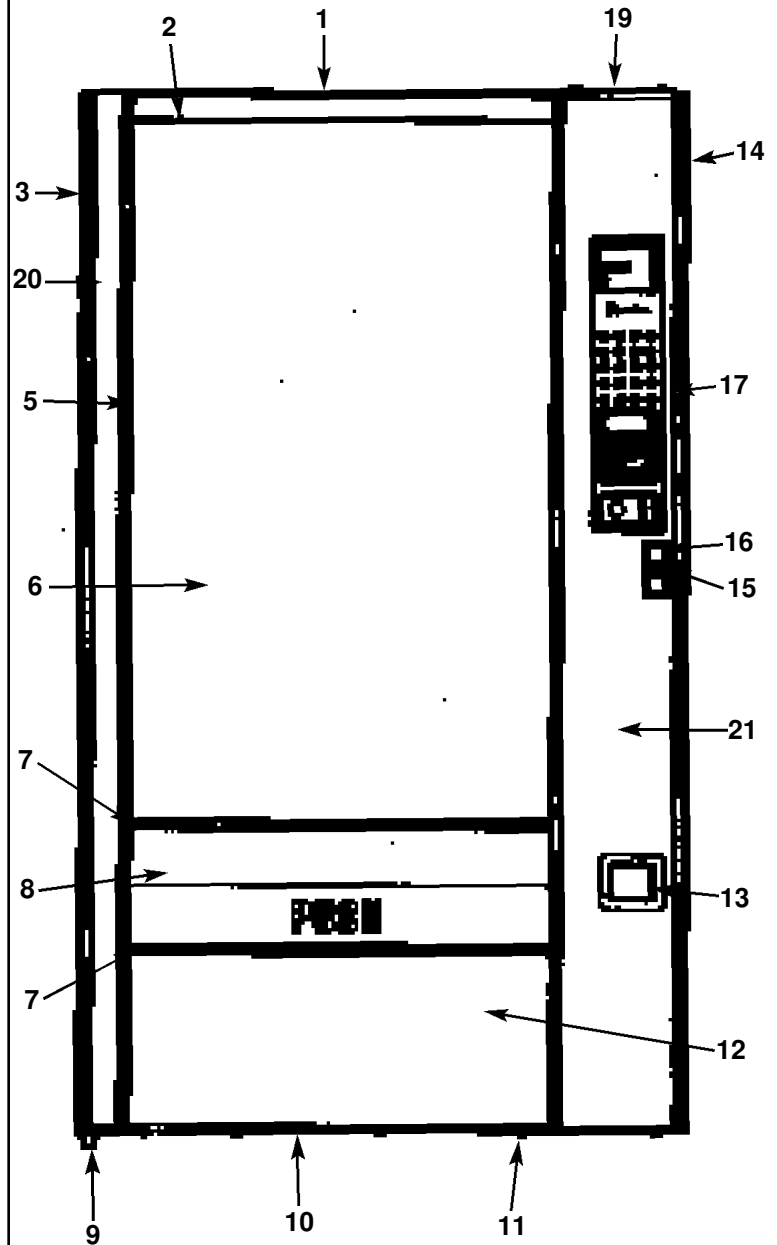


# genesis style

Item No.	Part No.	Description
1	340042-13	Top, Trim
2	200526-29	Panel, Top Trim
3	340057	Trim, Outside Vertical, Silver
4	202059-43	Panel, Left Side Vertical.Black Hide
5	340058-6	Trim, Window. Black
6	340058-12	Trim, Window. Black
7	201356-35	Panel, Delivery Tray. Sterling Royce
8	340055-27	Trim, Horizontal. Black
9	201692-47	Panel, Lower Horizontal. Black Hide w/Stripes
	201692-54	Panel, Lower Horizontal.Black Hide w/o Stripes
	201678-2	Bottom, Vinyl Door Edging
	420186	Screw, HWH, Drill Point, Black (6-20 x 1/2) Qty. 4
10	12000205-11	Panel, Right Side Vertical. Black Hide
11	16000040	Door Only. Specify Color.



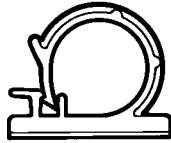
Item No.	Part No.	Description
1	340044-10	Top Trim, Vantage
2	201690-3	Top Trim Insert. Hide Black.
	201690-14	Top Trim Insert. Dark Gray
3	340057-2	Trim Outside Vertical.Black. Right & Left Side
5	340058-46	Trim Vertical.Window. Black, Right & Left Side
6	750141-1	Front Window. (44 5/8) x 21 9/16 x 1/8). <b>NOTE: Replacement Glass Must Be Hard Tempered or Lexan Only.</b>
7	340058-12	Trim Horizontal.Window. Black.
8	201356-2	Delivery Tray Panel. True Grit Black.
	201356-42	Delivery Tray Panel. Dark Gray.
9	640012	Assembly, Lower Door Hinge Plate.
10	201678-2	Bottom Door Edging.
11	420186	Screw Pan Hd.Drill Pt. (6-20 x 1/2) Qty. 4.
12	201692-15	Lower Horizontal Panel. Black.
	201692-55	Lower Horizontal Panel. Dark Gray.
13	660581	Coin Cup Trim.
	660581-1	Coin Cup Trim. Medium Gray.
	440411	Coin Cup Trim. Black.
	440411-1	Coin Cup Trim. Gray.
	440412	Coin Cup Door.
15	420071	Ace Lock W/2 Keys.
16	660319	Assembly Lock Handle W/Lock Arm & Nut.
	420146	Lock Handle Only.
17	440444	Bezel Ring.
18	16000040	Door Only. Specify Color.
	600822	Door Only. European Style. Specify Color.
19	201678-7	Top Lock Door Edging.
20	202059-28	Panel, Left Side Vertical. Painted. Specify Color.
	202059-49	Panel, Left Side Vertical.White.
	202059-51	Panel, Left Side Vertical.Dove Gray.
	202059-53	Panel, Left Side Vertical.Sterling Royce.
21	12000205-21	Panel, Right Side Vertical. Upper. Painted. Specify Color.
	202806-60	Panel, Right Side Vertical. Upper. White.
	12000205-14	Panel, Right Side Vertical. Upper. Dove Gray.
	12000205-15	Panel, Right Side Vertical. Upper. Sterling Royce.
	750202	Point of Sale Window Add On Kit



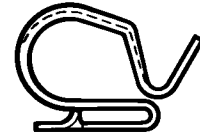
# connectors



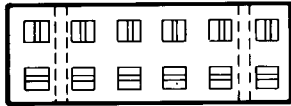
**PUSH MOUNT CABLE TIE**  
380291



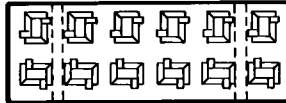
**CABLE CLAMP ADHESIVE**  
3/4 - 420096  
1/2 - 420096-1



**WIRE CLAMP**  
420051



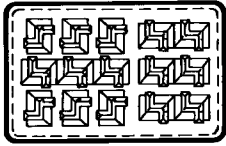
**PLUG - 12 PIN**  
380289



**SOCKET - 12 PIN**  
380290



**MOLEX CRIMP TERMINAL**  
380234



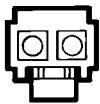
**SOCKET 15 CIRCUIT**  
380276



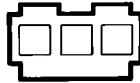
**MOUNTING TYPE**  
**CABLE TIE**  
380078



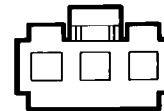
**2 PIN INTERNATIONAL MOLEX**  
380281



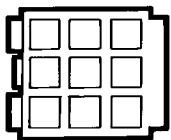
**2 PIN INTERNATIONAL MOLEX**  
**RECEPTACLE**  
380280



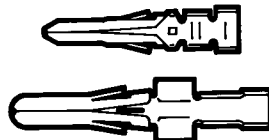
**3 PIN INTERNATIONAL MOLEX PLUG**  
FREE HANGING - 380286  
PANEL MOUNT - 380286-1



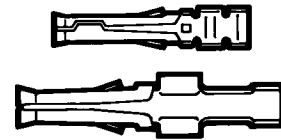
**3 PIN INTERNATIONAL MOLEX**  
**RECEPTACLE**  
380288



**9 PIN INTERNATIONAL MOLEX**  
**PLUG**  
380282



**MALE MOLEX TERMINAL**  
SMALL .093 - 380005  
LARGE .062 - 380130



**FEMALE MOLEX TERMINAL**  
SMALL .093 - 380004  
LARGE .062 - 380129

## trouble shooting chart

<b>Problem</b>	<b>Cause</b>	<b>Remedy</b>
No power	No lights	Check wall outlet for correct wiring, and line cord. See page 3.
	Lights work - no power to board	Check transformer outputs & circuit breakers
	No power to the board	Check wiring connections
	Defective power board	Replace power board
	Display blank	<i>LCM machines-24VAC at white wires at P1</i>
Won't take coins	No power to machine	Check wall outlet, line cord & voltage
	Defective changer	Replace changer
	Machine only accepts one coin	Machine lost its vend prices - reprice and test
	Defective circuit breaker	Replace circuit breaker
	No power to coin payouts	Replace power board <i>or logic board on LCM machines</i>
Won't payout coins/incorrect change returned	No voltage	Check voltages
	Defective power board	Replace power board
	Defective coin mechanism.	Replace coin mechanism.
	Jammed coins in tube	Remove coins
Won't take bills	No coins in coin tubes	Fill coin tubes
	Belts or stacker doesn't run on power-up	Check for 24 VAC at P1
	Belts run-bill goes half way but won't accept	Replace validator
Says make another selection	Motor ½ cycled	Home motor and retry <i>/LCM do mode 5 test vend</i>
	Selection lost its price	Reset prices
	Motor won't turn	Swap shelves with another shelf and retry
		Check shelf harness connection to board
		Check 24VAC to logic board <i>/white wires LCM</i>

## trouble shooting chart

---

<b>Problem</b>	<b>Cause</b>	<b>Remedy</b>
Use correct change	Coin tubes empty	Re-fill coin tubes
	Says use correct change with coin tubes full	Replace coin mechanism
Spirals turn more than one turn	Capacitor discharging current	Re-solder capacitor or replace motor
	Loose wire on motor	Repair wire
	Defective motor switch	Replace switch
	Defective control board	Replace control board
	Incorrect vend motors installed	Gray or black bodied motors for LCM
More than one motor turns together	One of the motor wires is shorting out	Check each individual motor for loose or pinched wire
	Defective control board	Replace control board
Unable to enter service mode	Check plugs on control board	Power down and remove and install connectors
	Defective changer	Replace changer
	Defective main board	Replace board
Coin mechanism jackpots	Incorrect voltage	Check voltages $\pm 10\%$
	Defective coin mechanism	Replace coin mechanism
	Defective board	Replace control board
Motor doesn't home on door close	No voltage	Check for correct voltages
	Defective door switch	Replace door switch
	Defective board	Replace board

The following table lists the Multi-Drop Bus errors that may be displayed in the Diagnostics Mode:

<b>Multi-Drop Bus Error</b>	<b>Display</b>
Invalid changer scale factor	"CscF"
Defective coin tube sensor	"tSnS"
Coin jam detected	"CJAM"
Coin tube jam detected	"tJAM"
Coin acceptance problem detected	"CnEr"
Acceptor unplugged	"AcEr"
Coin changer ROM checksum bad	"ChEr"
Invalid acceptor scale factor	"bScF"
Defective bill sensor	"bSnS"
Bill jam detected	"bJAM"
Bill stacker is full	"stFL"
Bill cash box is out of position	"Cshb"
Bad bill motor detected	"bMtr"
Bill acceptor ROM checksum bad	"bLEr"
Invalid card reader scale factor	"rScF"
Card error detected	"CdEr"
Invalid card detected	"bCrd"
Card reader jam detected	"rJAM"
Communications error detected	"CoEr"
Card reader failure	"brdr"

**COINCO LCM CONTROLLER**

**P1 POWER IN**

1	24 VAC HOT
2	GROUND
3	24 VAC NEUTRAL

**P2 SELECTION SWITCHES**

KEY	PIN #1	PIN #2
A	1	9
B	1	8
C	1	7
D	3	7
E	4	7
F	4	8
G	3	4
H	8	9
1	2	12
2	3	12
3	2	3
4	3	11
5	3	5
6	5	11
7	5	6
8	6	11
9	6	7
10	7	11
	7	8
	8	11

**P3 COIN MECH.**

1	TX +
2	TX -
3	RX -
4	GND -
5	RX +
6	24 VAC HOT
7	KEY
8	24 VAC RET
9	ME9100 DETECT

**P4 BILL VALIDATOR**

1	RENA1
2	KEY
3	KEY
4	RENA2
5	KEY
6	GND
7	<u>INT</u>
8	<u>PAR/SER</u>
9	<u>SEND/ESC</u>
10	DATA
11	\$1 CREDIT
12	\$5 CREDIT
13	+5 VDC
14	<u>ESC/NOESC</u>
15	\$1 & \$5 ENABLE
16	HOT
17	RET

**P5 US COIN MECH. AND L +**

1	GND
2	KEY
3	24 VDC HOT NF
4	KEY
5	DATA
6	<u>INT</u>
7	<u>ACCEPT</u>
8	MECH RESET
9	<u>SEND</u>
10	+5 VDC
11	GND
12	<u>MIDDLETUBE</u>
13	<u>RIGHTTUBE</u>
14	<u>LEFTTUBE</u>
15	<u>FOURHTTUBE</u>

**P6 MOTOR DRIVE**

1	ROW A
2	ROW B
3	ROW C
4	ROW D
5	ROW E
6	ROW F
7	ROW G
8	ROW H
9	KEY
10	COL 1
11	COL 2
12	COL 3
13	COL 4
14	COL 5
15	COL 6
16	COL 7
17	COL 8
18	COL 9
19	COL 10

**LCM KEYPAD PINOUTS**

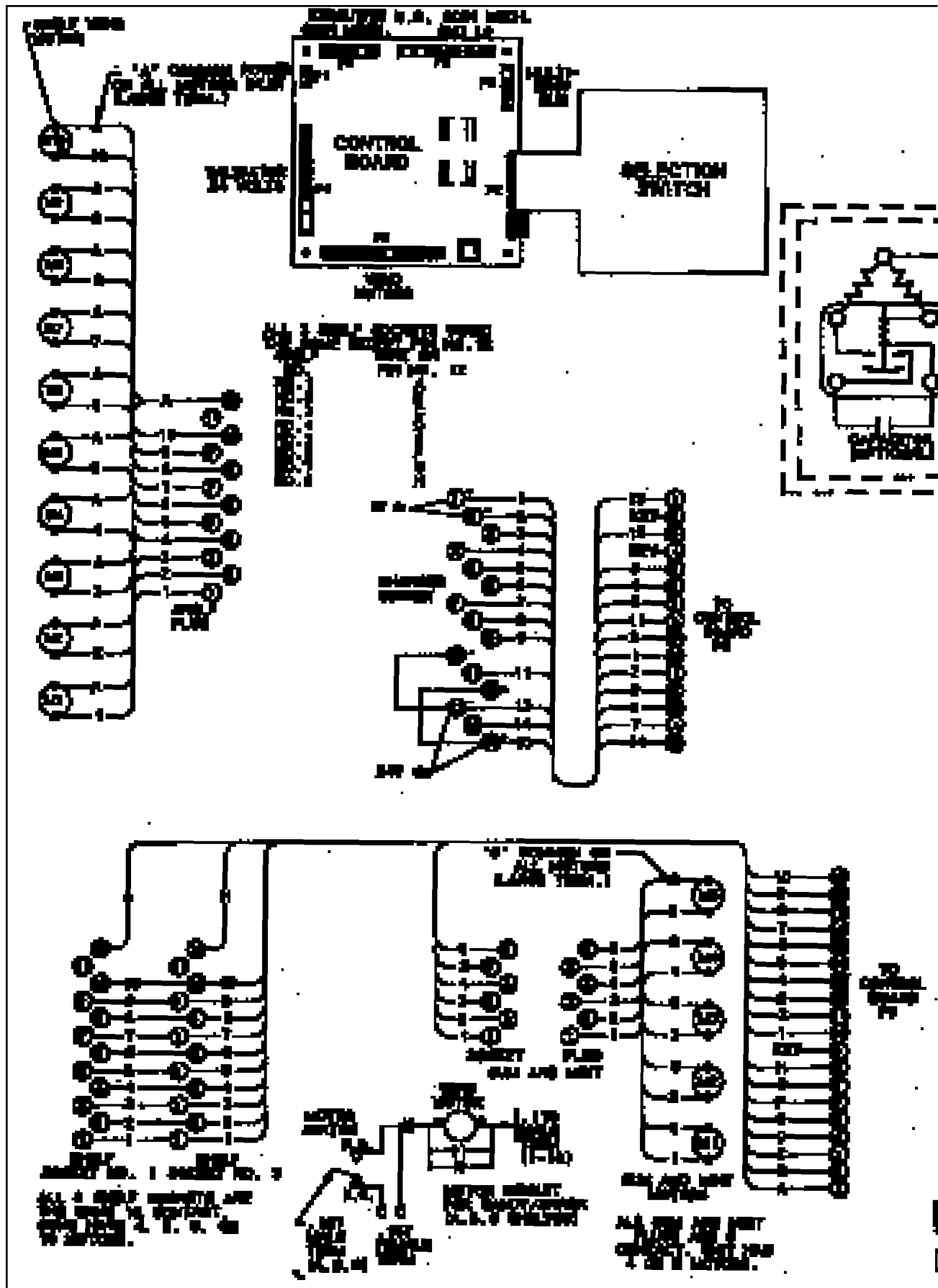
Button	Common	Pin #1	Pin #
A	13	1	9
B	13	1	8
C	13	1	7
D	13	3	7
E	13	4	7
F	13	4	8
G	13	3	4
H	13	8	9
1	13	2	12
2	13	3	12
3	13	2	3
4	13	3	11
5	13	3	5
6	13	5	11
7	13	5	6
8	13	6	11
9	13	6	7
10	13	7	11
^	13	7	8
v	13	8	11

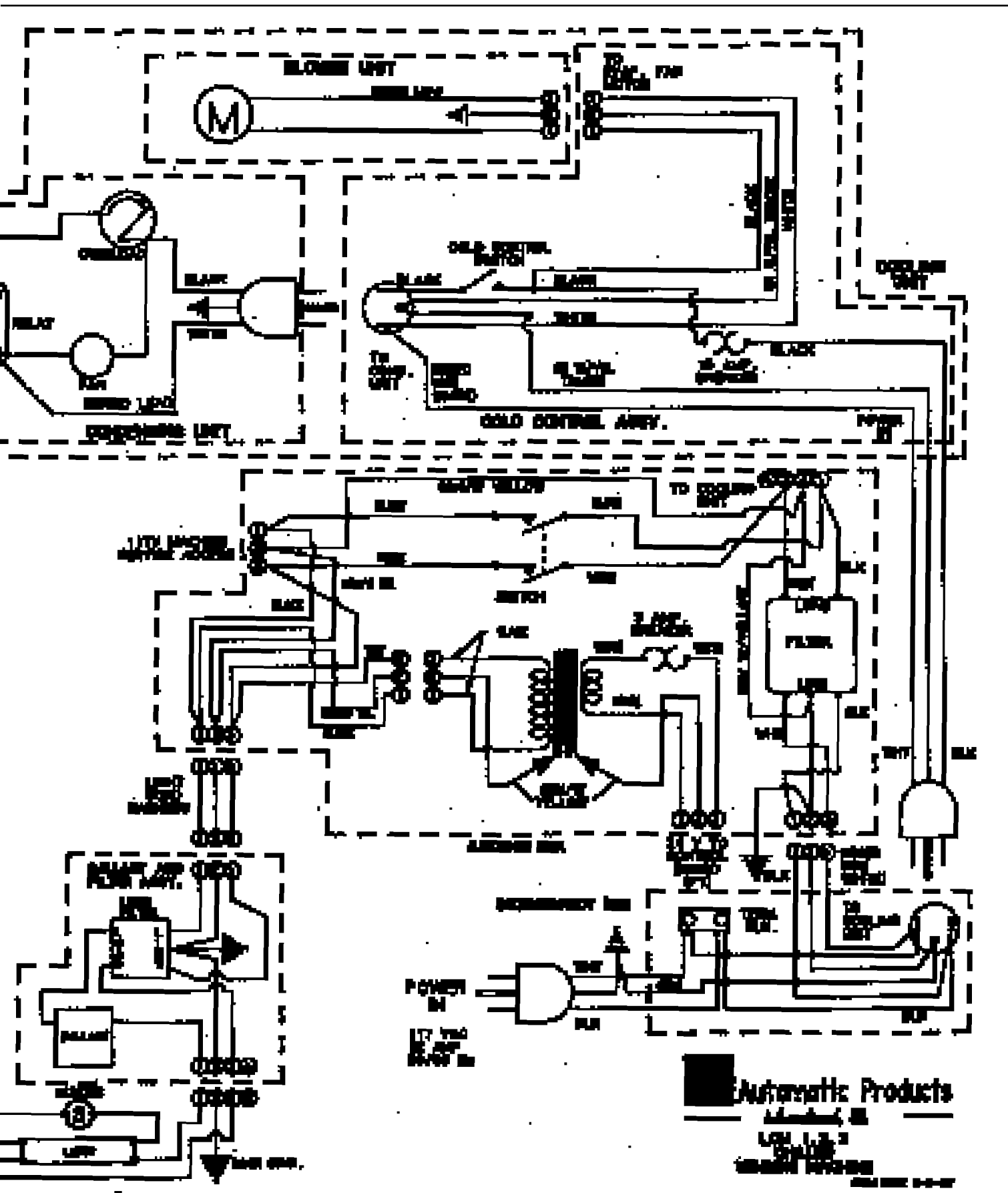
Keypad operates with common (#13) plus 2 others.

**P8 MULTI-DROP BUS (MDB)**

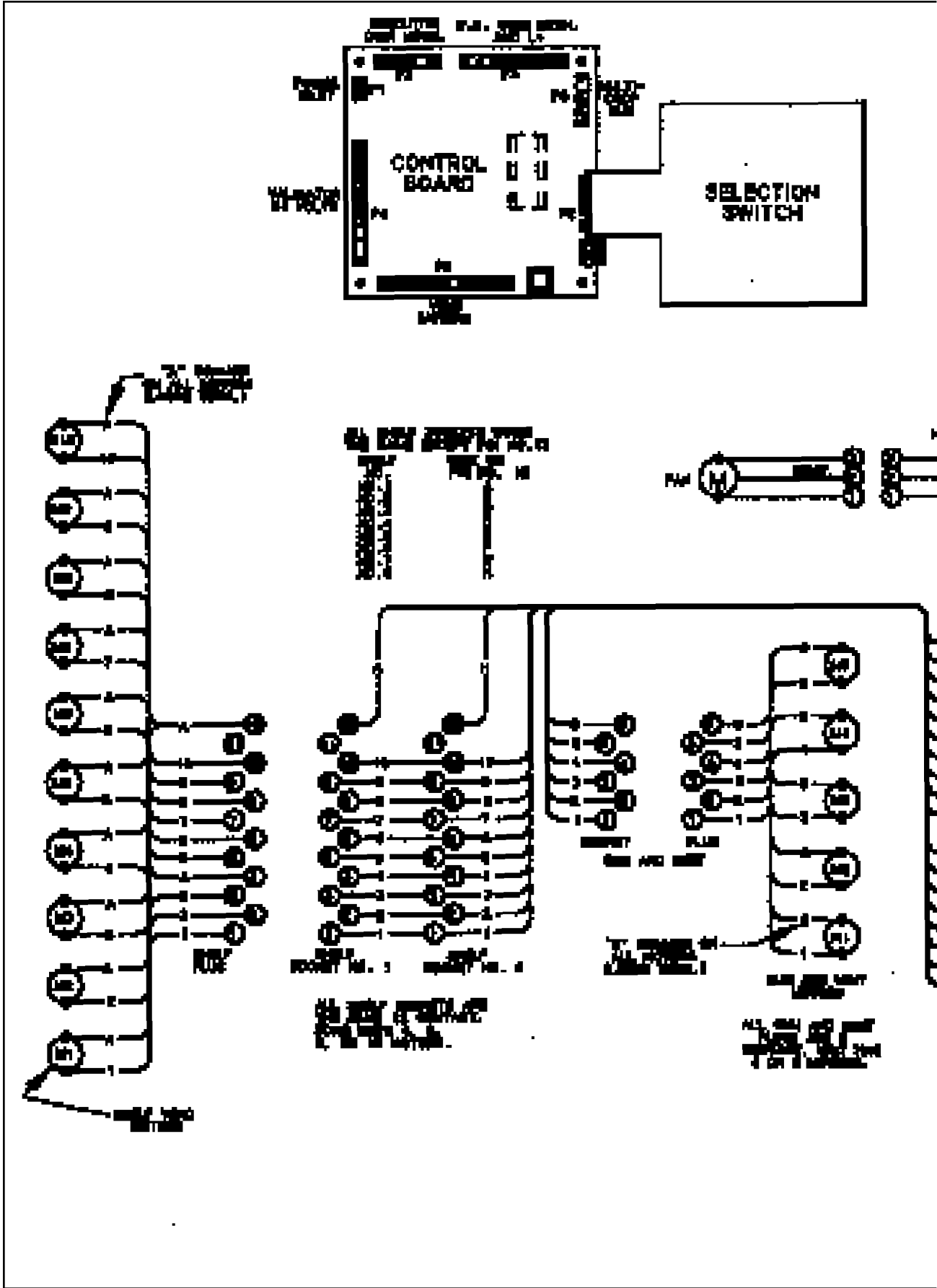
1	24 VUN
2	KEY
3	GND
4	RXD
5	TXD
6	GND
7	NC

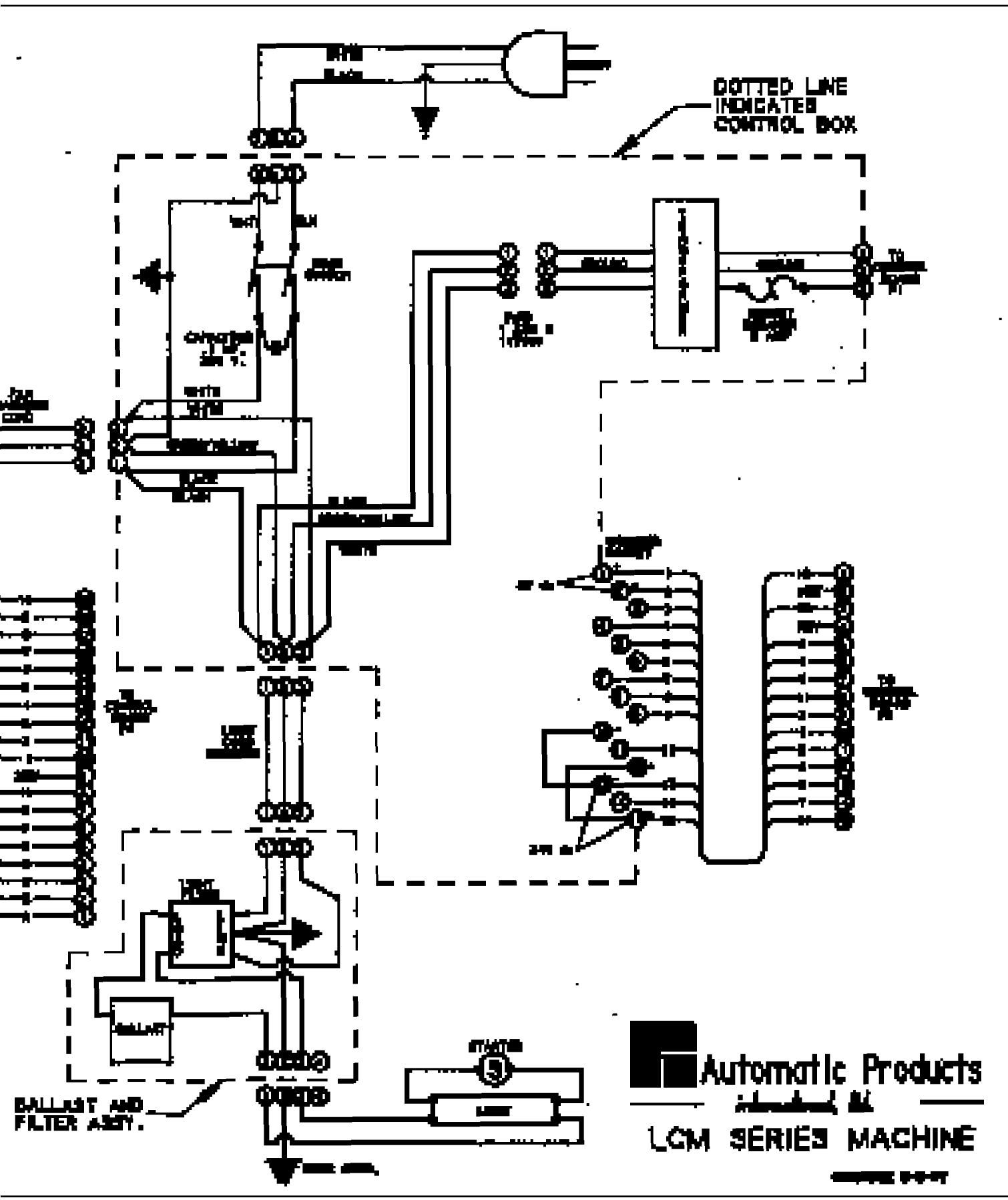






**Automatic Products**  
 A Division of  
 LORAIN  
 1000  
 1000  
 1000  
 1000





DOTTED LINE  
INDICATES  
CONTROL BOX

BALLAST AND  
FILTER ASBY.

**Automatic Products**  
*International, Inc.*

**LCM SERIES MACHINE**

REVISED 10-67