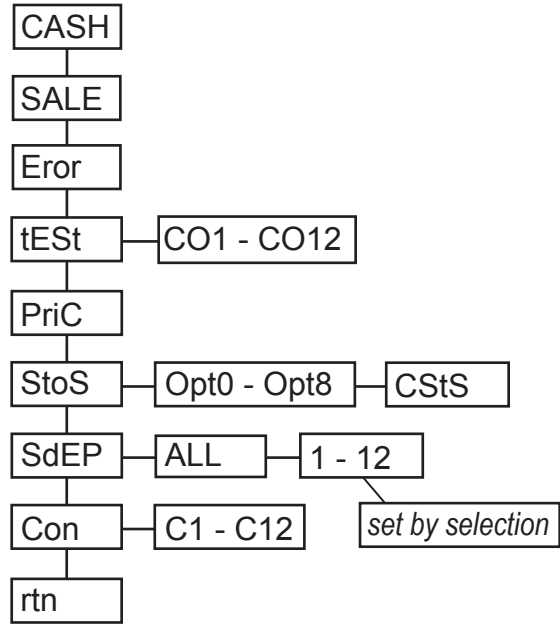
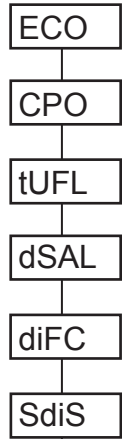


INTERNAL (SERVICE) MENU



OPTIONAL MENU ITEMS (C2 set to "1")



MERLIN IV / MERLIN 20 PLUS PROGRAMMING WITHOUT PASSWORD

